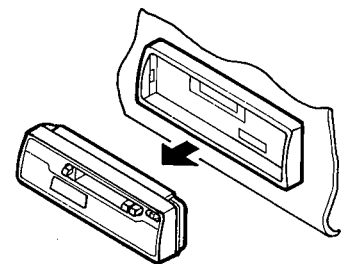
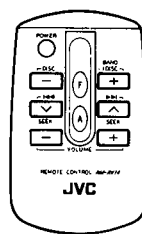
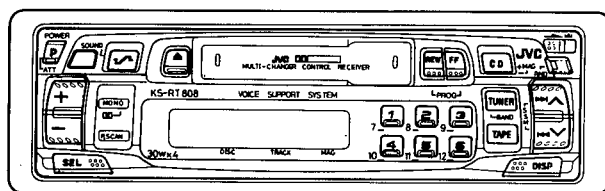


JVC

SERVICE MANUAL

MULTI - CHANGER CONTROL RECEIVER

KS-RT808 C/J




Area Suffix	
C.....	Canada
J.....	U.S.A

Contents

■ .Features.....	Page2	⑤ .Standard schematic diagram	31
■ .Specifications	2	⑥ .Location of p.c.board parts and parts list	34
■ .Instructions	3	⑦ .Exploded view of enclosure assembly	
① .Location of main parts.....	18	and parts list	40
② .Removal of main parts	20	⑧ .Exploded view of mechanism	
③ .Main adjustment.....	22	assembly and parts list.....	42
④ .Block diagram.....	26	⑨ .Packing illustration and parts list.....	45

FEATURES

- Detachable Control Panel
- Voice Support System
- This unit is for control of a JVC CD changer (Applicable models: KD-MK70/MK66 etc.).
- AM/FM Stereo PLL Synthesizer Tuner
- 24-Station Preset Tuning (FM-18, AM-6)
- Preset Scan/Seek/Manual Tuning
- Strong-station Sequential Memory (SSM)
- U-Turn Auto-Reverse Mechanism
- Ignition Key-off Release/Key-on Play Mechanism
- Multi Music Scan
- Dolby* B Noise Reduction
- 4-Channel Amplifier System
- Maximum Power Output of 30 watts per channel (Front)/30 watts per channel (Rear) (KS-RT808)
- Maximum Power Output of 22 watts per channel (Front)/22 watts per channel (Rear) (KS-RT707)
- One Touch Operation
- Sound Control Memory
- Wireless Remote Control (KS-RT808 only)
- Digital Clock Display
- Line Output Terminal

* Dolby Noise Reduction manufactured under license from Dolby Laboratories Licensing Corporation. "Dolby" and the double-D symbol  are trademarks of Dolby Laboratories Licensing Corporation.

SPECIFICATIONS

AUDIO AMPLIFIER SECTION

(KS-RT808)

Maximum Power Output: (Front) 30 watts per channel (Rear) 30 watts per channel
 Continuous Power Output (RMS): (Front) 13 watts per channel into 4 Ω , 40 to 20,000 Hz at no more than 0.8% total harmonic distortion. (Rear) 13 watts per channel into 4 Ω , 40 to 20,000 Hz at no more than 0.8% total harmonic distortion.

(KS-RT707)

Maximum Power Output: (Front) 22 watts per channel (Rear) 22 watts per channel
 Continuous Power Output (RMS): (Front) 8 watts per channel into 4 Ω , 40 to 20,000 Hz at no more than 0.8% total harmonic distortion. (Rear) 8 watts per channel into 4 Ω , 40 to 20,000 Hz at no more than 0.8% total harmonic distortion.

Load Impedance: 4 Ω (4 to 8 Ω allowance)

Tone Control Range

Bass: ± 10 dB at 100 Hz

Treble: ± 10 dB at 10 kHz

Frequency Response: 40 to 20,000 Hz

Signal-to-Noise Ratio: 70 dB

Line-Out Level/Impedance: 0.5 V/20 k Ω load (250 nWb/m)

RADIO SECTION

Frequency Range

FM: 87.5 to 107.9 MHz

(with channel interval set to 200 kHz)

87.5 to 108.0 MHz

(with channel interval set to 50 kHz)

AM: 530 to 1,710 kHz

(with channel interval set to 10 kHz)

531 to 1,602 kHz

(with channel interval set to 9 kHz)

[FM Tuner]

Usable Sensitivity: 11.3 dBf (1.0 μ V/75 Ω)

50 dB Quietening Sensitivity: 16.3 dBf (1.8 μ V/75 Ω)

Alternate Channel Selectivity: (400 kHz): 65 dB

Frequency Response: 40 to 15,000 Hz

Stereo Separation: 35 dB

Capture Ratio: 1.5 dB

[AM Tuner]

Sensitivity: 20 μ V

Selectivity: 35 dB

CASSETTE DECK SECTION

Wow & Flutter: 0.11% (WRMS)

Fast-Wind Time: 100 sec. (C-60)

Frequency Response: 50 to 16,000 Hz (± 3 dB)

Signal-to-Noise Ratio:

(Dolby NR-ON): 60 dB

(Dolby NR-OFF): 52 dB

Stereo Separation: 40 dB

GENERAL

Power Requirement

Operating Voltage: DC 14.4 volts (11 to 16 volts allowance)

Grounding System: Negative ground

Dimensions (W x H x D)

Installation Size: 182 x 52 x 152 mm

(7-3/16" x 2-1/16" x 6")

Panel Size: 189 x 58 x 14 mm

(7-1/2" x 2-5/16" x 5/8")

Gross Weight: 2.0 kg (4.5 lbs) (KS-RT808)

1.9 kg (4.2 lbs) (KS-RT707)

Design and specifications subject to change without notice.

If a kit is necessary for your car, consult your telephone directory for the nearest car audio speciality shop.

Instructions

Thank you for purchasing a JVC product. Please read all instructions carefully before operation, to ensure your complete understanding and to obtain a longer service life from the unit.

CONTENTS

- Features 2
- Specifications 2
- Important information 3
- Installation(In-dash mounting) 3
- Electrical connections 5
- Location of controls 7
- Tepe operation 12
- Radio operation 13
- CD automatic changer operation 15
- Digital clock display 16
- Maintenance 17
- Tape care hints 17

IMPORTANT INFORMATION

1. This unit is designed to operate with 12 volts DC, NEGATIVE ground electrical systems only.
2. Replace the fuse with one of the specified rating. If the fuse blows frequently, consult your JVC car audio dealer.
3. Do not touch the highly-polished head with any metallic or magnetic tools.
4. If noise is a problem...
This unit incorporates a noise filter in the power circuit. However, with some vehicles, clicking or other unwanted noise may occur. If this happens, connect the unit's rear ground terminal to the car's chassis using shorter and thicker cords, such as copper braiding or gauge wire. If noise still persists, consult your JVC car audio dealer.
5. Never play dirty or dusty tapes since they will greatly degrade the sound and performance of your unit. Always keep your tapes clean. (See page 41.)

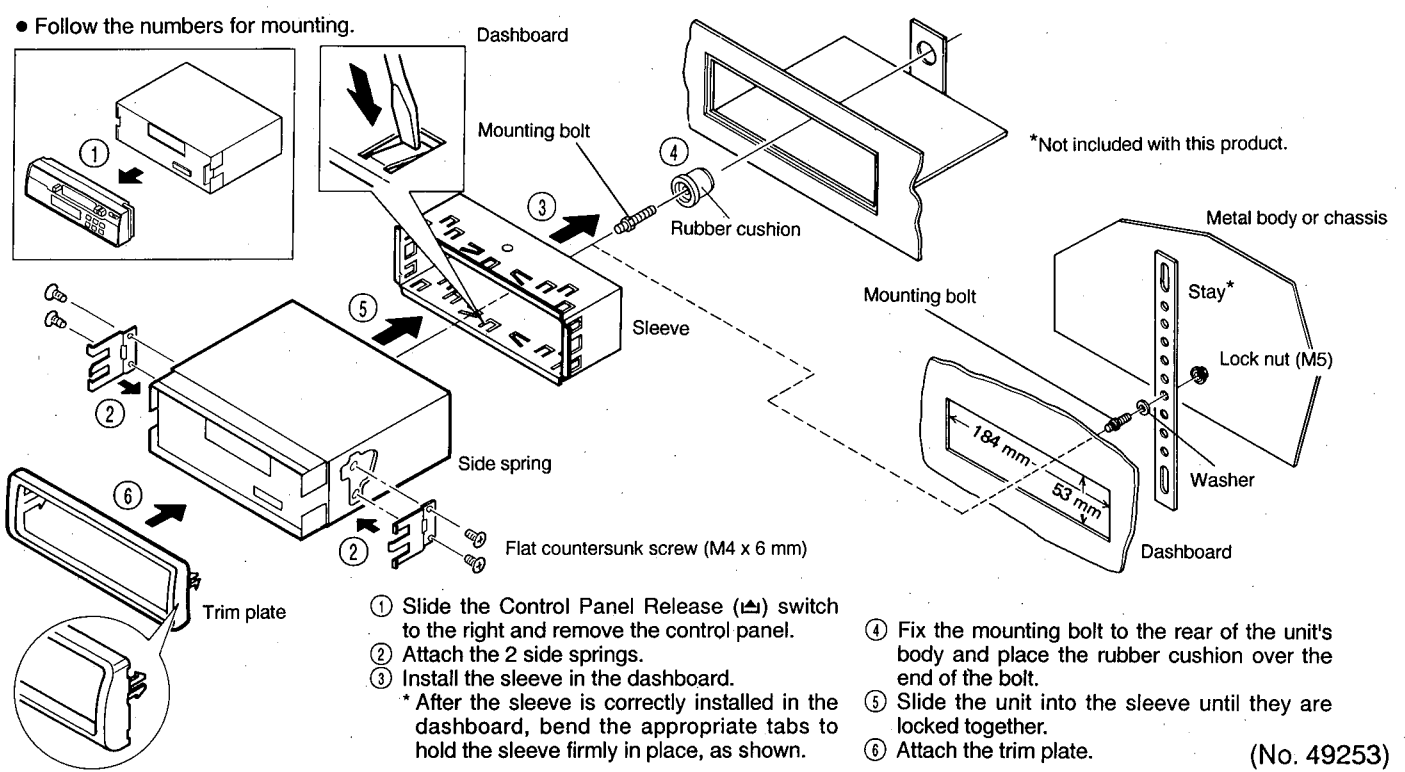
Antenna Noise

If you can hear static noise when listening to either AM or FM, check for loose antenna connections.

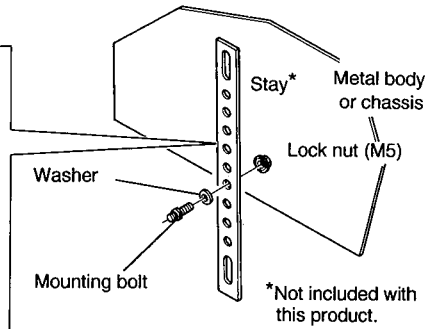
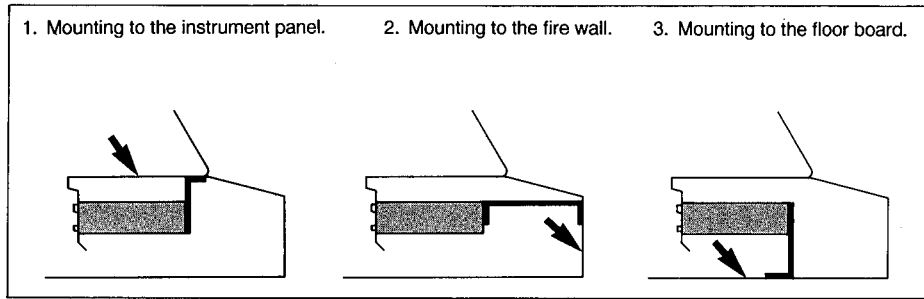
INSTALLATION (IN-DASH MOUNTING)

IMPORTANT
 • Before using this unit for the first time, press the Eject button fully, to reset the mechanism.

• The following illustration shows a typical installation. However, you should make adjustments corresponding to your specific car. If you have any questions or require information regarding installation kits, consult your JVC car audio dealer or a company supplying kits.



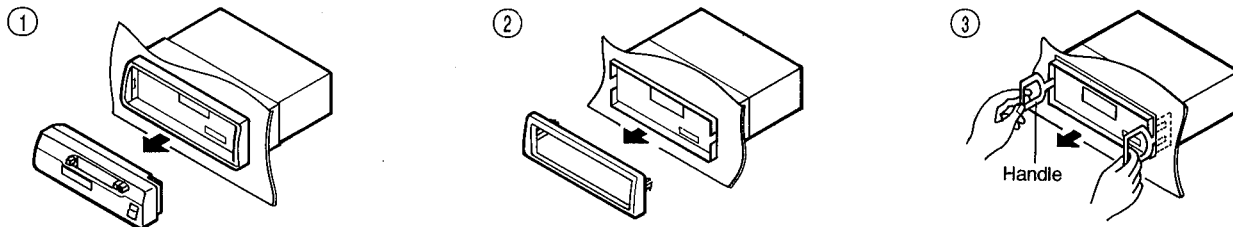
• Examples for use of the back stay:



Removing the unit

• Before removing the unit, release the rear section.

- ① Remove the control panel.
- ② Remove the trim plate.
- ③ Insert the 2 handles between the side springs and the sleeve, as shown. Then, while gently pulling the handles away from each other, slide out the unit.

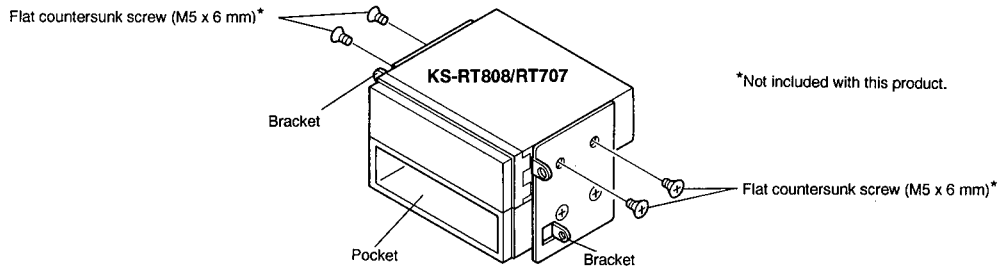


When installing the unit without using the sleeve.

In a Toyota for example, first remove the car radio and install the unit in its place.

Note:

- When installing the unit on the mounting bracket, make sure to use the 6 mm-long screws. If longer screws are used, they could damage the unit.



ELECTRICAL CONNECTIONS

To prevent short circuits, we recommend that you disconnect the battery's negative terminal and make all electrical connections before installing the unit. If you are not sure how to install this unit correctly, have it installed by a qualified technician.

Note:

This unit is designed for a 12-volt DC negative ground. If your vehicle does not have this system, a voltage inverter is required, which can be purchased at JVC car audio dealers.

- Maximum input of the speakers should be more than 30 watts at the rear and 30 watts at the front, with an impedance of 4 to 8 ohms. (KS-RT808)
- Maximum input of the speakers should be more than 22 watts at the rear and 22 watts at the front, with an impedance of 4 to 8 ohms. (KS-RT707)

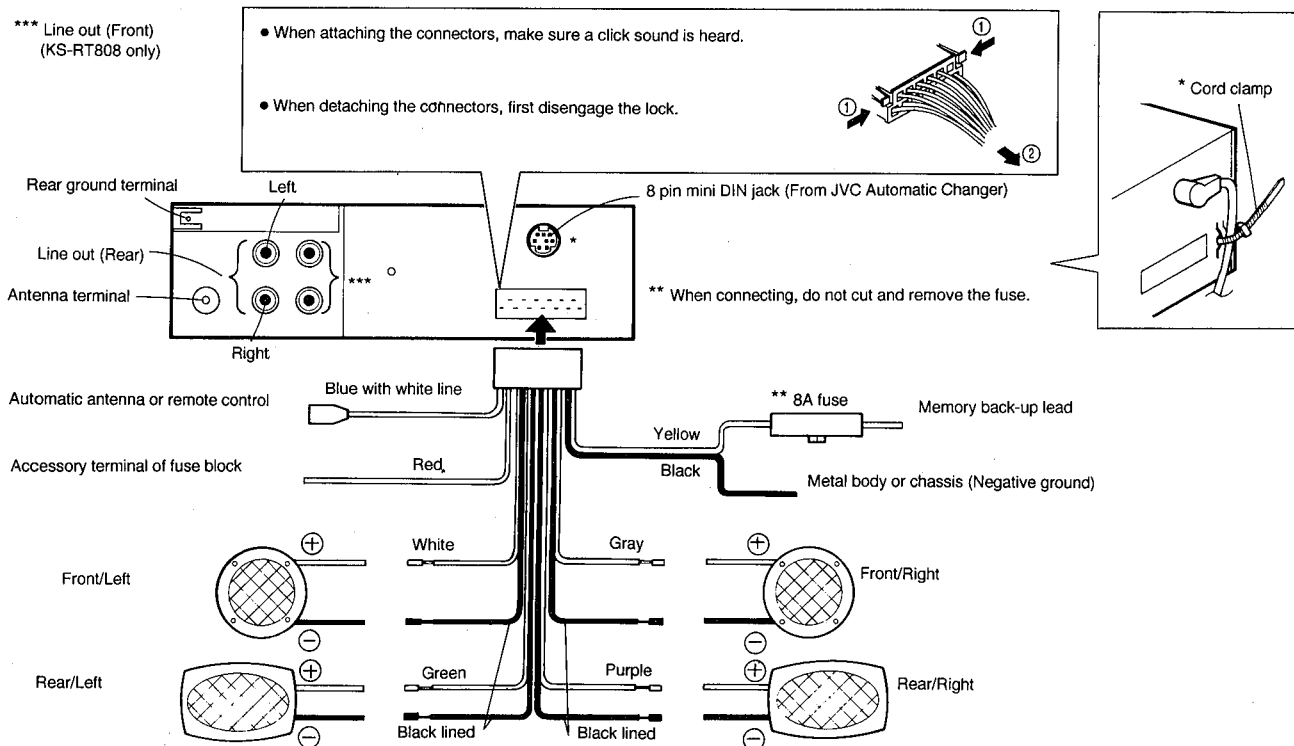
CAUTIONS:

As this unit uses BTL (Balanced Transformerless) amplifier circuitry (floating ground system), please comply with the following:

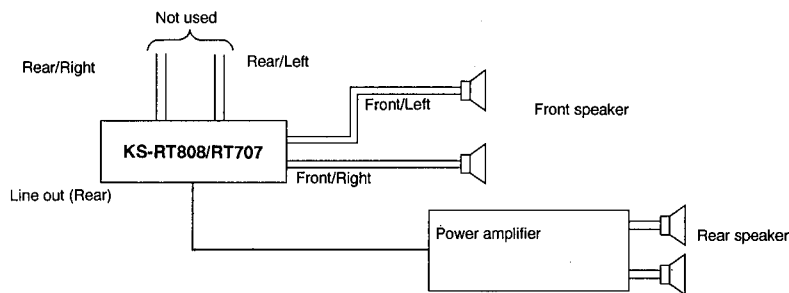
1. Do NOT connect the black-lined speaker leads to a common point.
2. Do NOT connect the speaker leads to the metal body or chassis.
3. Cover the terminals of the leads that are NOT used with insulating tape, to prevent them from shorting.

- Be sure to ground this unit to the car's chassis.

A. 4-Speaker Connections



B. 4-Speaker connections when adding a power amplifier

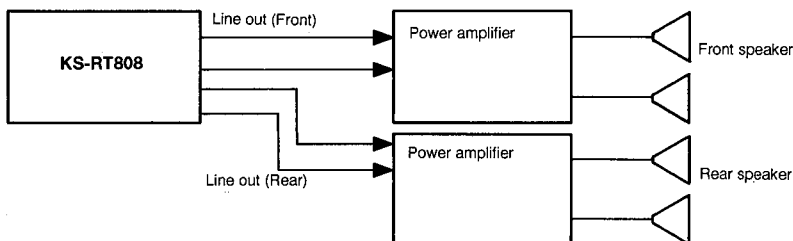


C. Line Terminal Connections (Line Out)

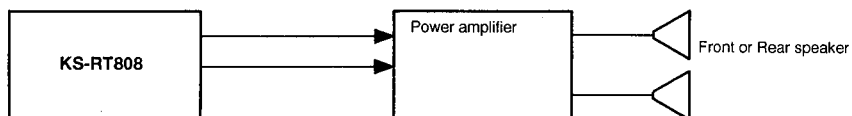
Since this unit has line-out terminals, an amplifier and other equipment can be used to upgrade your car stereo system.

- With an amplifier, connect this unit's line-out terminals to the amplifier's line-in terminals.

1. 2-Amplifier connections (KS-RT808 only)



2. Single amplifier connections (front or rear) (KS-RT808 only)



D. Automatic Antenna Connections

To use the automatic antenna, connect its remote lead (blue with white lines) terminal. For details of installation, see the automatic antenna's Instruction Manual.

E. Memory Back-Up Lead

Connect this lead to a LIVE power source (supplied even when vehicle ignition is OFF).

F. Fader Control

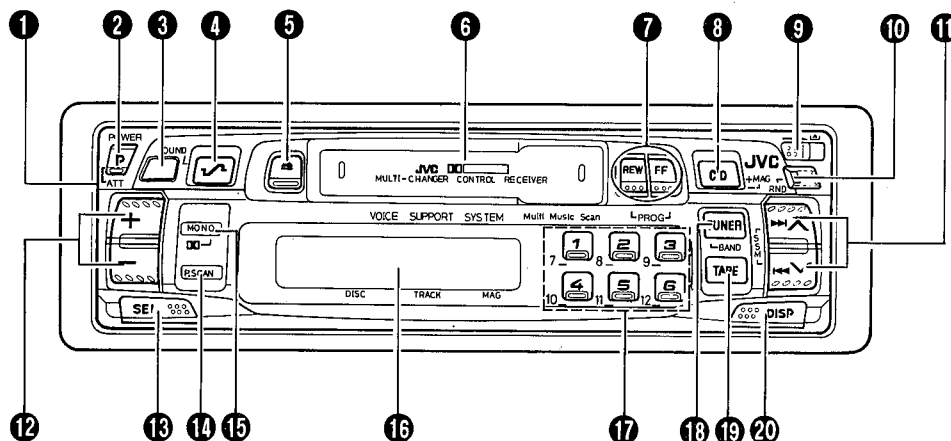
• **When used in a 4-speaker system**

Use this control to balance the volume levels of the front and rear speakers. Set Fader mode using the SEL button and press the + Level Control button to decrease the volume level of the rear speakers, and – to decrease that of the front speakers. The overall volume level can be adjusted in Volume mode. (See page 20.)

• **When used in a 2-speaker system**

Set this control to the center position ("00" is displayed).

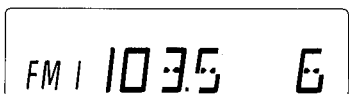
LOCATION OF CONTROLS



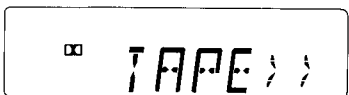
21



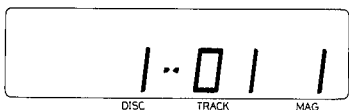
22



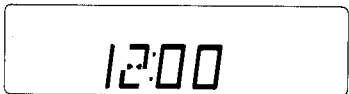
23



24



25



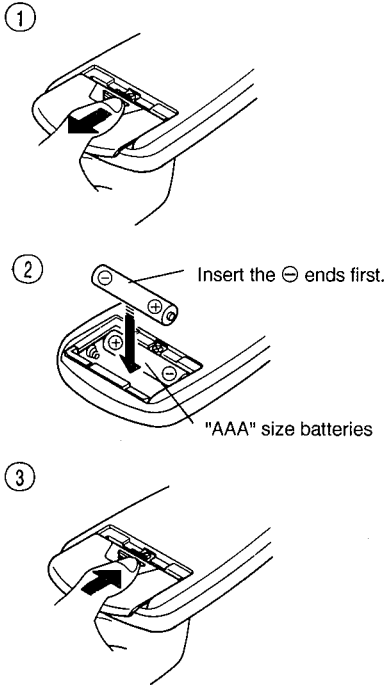
- 1 Control panel
- 2 POWER (P)/Attenuator (ATT) switch
POWER: Press to turn the power ON. Press for more than 1 second to turn the power OFF.
ATT: When this button is pressed during operation, the volume drops and the ATT indicator blinks. Press again to return to the original volume.
- 3 Remote Sensor section (KS-RT808 only)
- 4 SOUND button
- 5 Eject (▲) button
- 6 Cassette loading slot
- 7 Program (PROG)/REW, FF buttons
- 8 CD mode button
Magazine select (+MAG) button
- 9 Control Panel Release (⏏) switch
- 10 Random (RND) button
- 11 Tuning/SSM/Time Adjustment/Skip (search) buttons
Up frequency/Minute adjustment (▲)/(▶▶▶)
Down frequency/Hour adjustment (▼)/(◀◀◀)

- 12 Level Control buttons
- 13 Electronic Control Mode Select (SEL) button
- 14 Preset Scan (P. SCAN) button
- 15 MONO button
Dolby B NR (□□) button
- 16 Display window
- 17 Preset Station buttons (No. 1 to No. 6)/Music Scan Preset buttons (No. 1 to No. 6)/Disc Number buttons (No. 1 to No. 12)
- 18 Tuner (TUNER) mode button
BAND button
- 19 TAPE mode button
- 20 Display (DISP) button
- 21 Indicators (for Audio Control section)
Volume (VOL)
Bass (BAS)
Treble (TRE)
Fader (FAD)
Balance (BAL)
Loudness (LOUD)
Attenuator (ATT)
VOICE (0/1/2/3)
Level value
Level indicator
BEAT
SOFT
POP
OFF
- 22 Indicators (for Tuner section)
Band (FM1-FM2-FM3-AM)
Radio frequency
Preset Station
FM Stereo (ST)
Mono (MO)
SSM (---)
Manual (MANU)
- 23 Indicators (for Tape Deck section)
TAPE mode
Tape direction (TAPE>>>, TAPE<<<)
Dolby B (□□) NR
Music Scan preset number
- 24 Indicators (for CD Changer Control sections)
Disc number
Track number
Magazine number
RND

RST1 - RST8
- 25 Indicators (for other controls)
Time

Remote Control unit (KS-RT808 only)

- Installing batteries in the remote control unit.



• Battery replacement

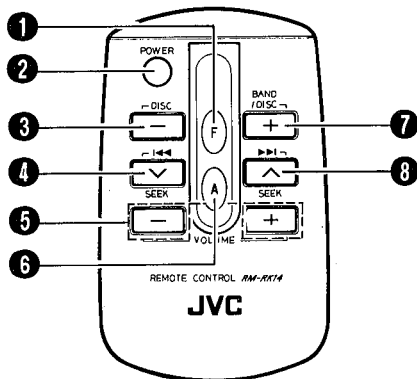
When the remote control operation becomes unstable or the distance from which remote control is possible becomes shorter, replace the batteries with new ones.

Using the remote control unit

To use the remote control unit, point it at the remote sensor and press the buttons gently and firmly. Do not expose the remote sensor to strong light (direct sunlight or artificial lighting) and make sure that there are no obstacles between the remote sensor and the remote control unit.

The following operations can be performed using the remote control unit.

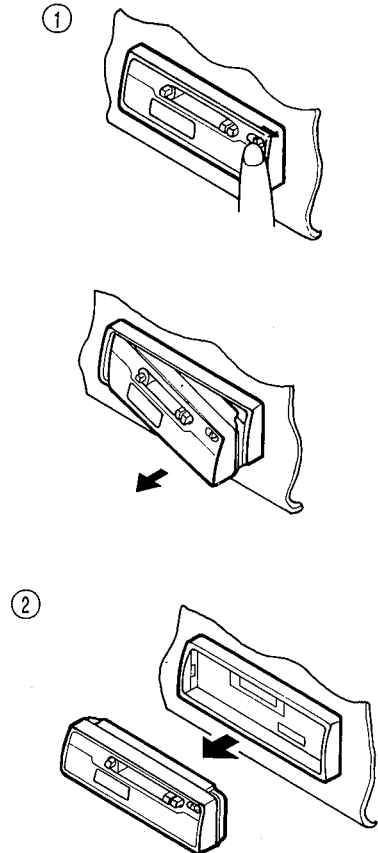
- Check the functions of the operation buttons carefully and operate them correctly.



- ① Function (F) button
Used to select the source.
- ② POWER button
- ③ DISC Select (-) button
- ④ SEEK tuning/Skip (Search) button
Down SEEK (∨)/(◀◀)
- ⑤ VOLUME level control buttons (-/+)
- ⑥ Attenuator (A) button
- ⑦ BAND/DISC Select (+) button
- ⑧ SEEK tuning/Skip (Search) button
Up SEEK (∧)/(▶▶)

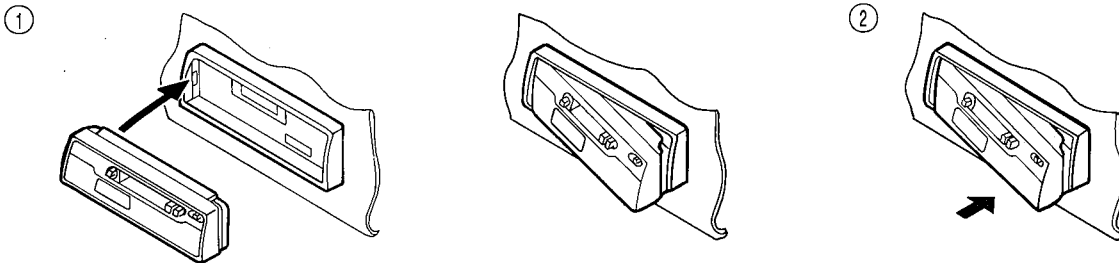
How To Detach The Control Panel

- ① Slide the Control Panel Release (▲) switch in the direction of the arrow to detach the control panel.
- ② Pull the control panel out of the main unit, as shown below.
 - Put the control panel in the provided case for protection.



How To Attach The Control Panel

- ① Insert the left side of the control panel into the groove on the left side of the holder.
- ② Press the right side to set it correctly.



Note:

- Be careful not to damage the connector terminals when attaching/detaching the control panel or while the control panel is removed.

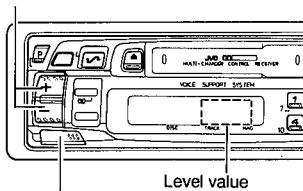
One Touch Operation

Even when the power is off, pressing the button shown below switches on the power and selects the source.

	Function mode	Operations
	CD	Place a CD in the CD changer connected to this unit and press this button to start CD play.
	TUNER	When this button is pressed, the tuner is engaged.
	TAPE	When this button is pressed with a tape loaded, tape playback begins.

Audio Level Control

Level control buttons



Electronic control mode select button (SEL)

Control del nivel de audio


Commande de niveau audio

	Electronic control mode		
VOL Volume	(00 – 50)	Decreases	(00 – 50) Boosts
BAS Bass	(-6) – (00)	Decreases	(00) – (+6) Boosts
TRE Treble	(-6) – (00)	Decreases	(00) – (+6) Boosts
FAD Fader	(R5 – 00)	Rear	(00 – F5) Front
BAL Balance	(L6 – 00)	Left	(00 – R6) Right
LOUD Loudness		Off	On
VOICE Voice support volume	(0 – 3)	Decreases	(0 – 3) Boosts

Loudness Control

At low volumes, the human ear is less sensitive to low and high frequencies. When the volume is low, set the loudness control to ON to boost these frequencies and produce well-balanced sound.

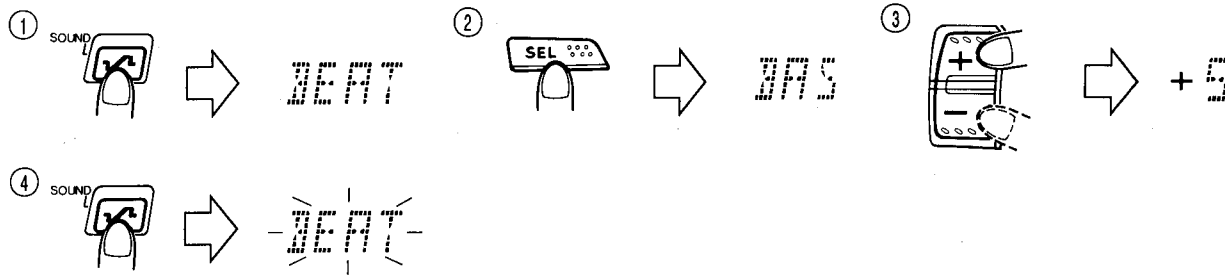
Sound Mode Button

Sound mode 			Preset level value		
			Bass	Treble	Loudness
<i>OFF</i>	Off	(flat characteristics)	00	00	Off
<i>BEAT</i>	Beat	For music with a heavy beat, such as rock or disco music.	+2	00	On
<i>SOFT</i>	Soft	For quiet background music.	+1	-3	Off
<i>POP</i>	Pop	For light music including popular and vocal music.	+4	+1	Off

Sound Control Memory

The Sound mode's preset values can be changed to suit your tastes.

(Example: To emphasize bass sound in the Beat mode)



- ① Press the SOUND button to select the mode to be changed (Beat, Soft, Pop).
 - ② Press the SEL button within 5 seconds to select the sound characteristics to be changed (Bass, Treble, Loudness).
 - ③ Set the desired level with the level-control button (within 5 seconds).
 - ④ To store the set level in memory, press the SOUND button within 5 seconds and hold it for more than 2 seconds. (The mode indication blinks when the level has been stored in memory.)
- * To change other preset values, repeat the above procedure.
- * To restore the preset value, repeat the above procedure using the level value for the SOUND button as a reference.

Voice Support System

The system responds in **English** with a voice message, according operation. (e.g. When the power is turned on, the unit responds "HELLO".)

- Adjust the volume for the Voice Support System with the audio level control (refer to page 20).
- This system responds as shown in the table below.

Principal operations

Button/	Command/	Tape operation/	Radio operation/	CD changer operation/
P (POWER)	on off ATT	HELLO SEE YOU Pi ↔ Bi	HELLO SEE YOU Pi ↔ Bi	HELLO SEE YOU Pi ↔ Bi
SOUND		BEAT → SOFT → POP ← OFF ← (MEMORY when storing the set level in memory/		
TAPE PROG (Auto-reverse mode)		FORWARD PLAY/ REVERSE PLAY/	---	---
TUNER		---	FM1, FM2, FM3, AM	---
CD		---	---	DISC x (No.)
1 – 6 (7 – 12)		MMS LAST 5 → 4 → 3 → ...	PRESET MEMORY 1 – 6 1 – 6	DISC 1 (7) — DISC 6 (12)

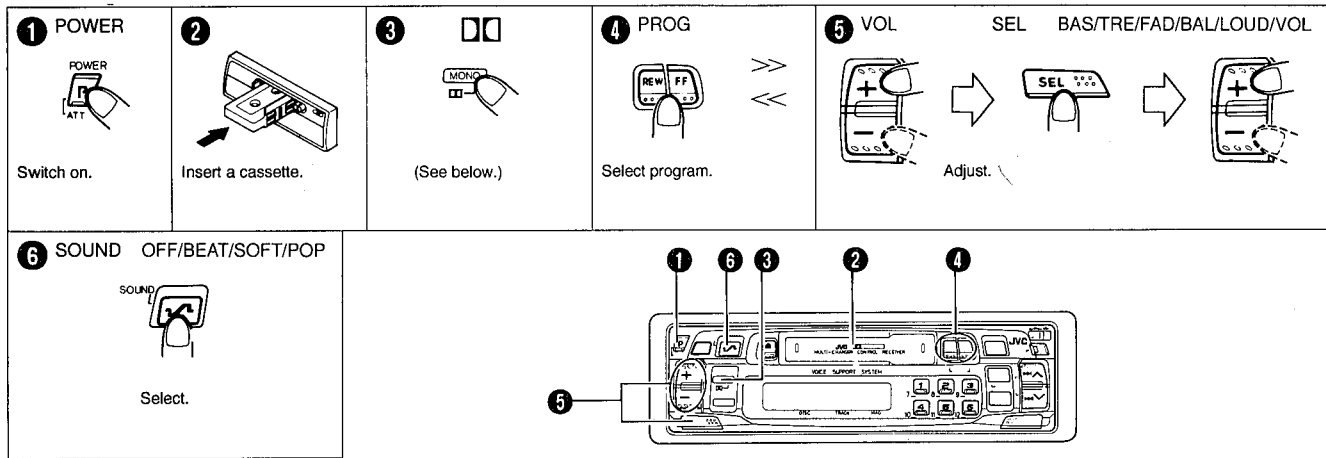
Button/	Command	Tape operation	Radio operation	CD changer operation
		---	Pi	Pi
		---	Bi	Bi
P. SCAN	on	---	PRESET 1 – 6	---
	off	---	PRESET 1 – 6	---
RND	on/off	---	---	RANDOM 1, 2/OFF
MONO Dolby NR (□□)	on/off	---	MONAURAL ON/OFF	---
DISP		Pi	Pi	Pi

SEL	BASS → TREBLE → FADER → BALANCE → LOUDNESS → VOICE → VOLUME → BASS →
------------	---

Position	Bass	Treble	Fader	Balance	Loudness	Voice	Volume
+	---	---	---	---	LOUDNESS ON		
	CENTER	CENTER	CENTER	CENTER		LEVEL 3	
						LEVEL 2	
-	---	---	---	---	LOUDNESS OFF	LEVEL 1	
						OFF	---

TAPE OPERATION

Operate in the order shown.

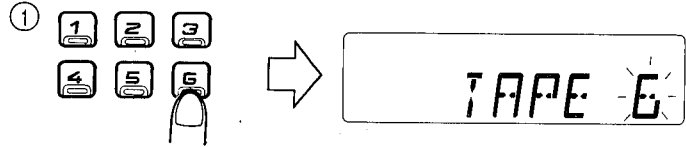


- DOLBY B NR button
Set the Dolby B NR () button as required.
ON — () indicator lights.
OFF — () indicator goes out.

Ignition Key-Off Release (Key-On Play) Mechanism

When the ignition key is turned OFF, the "key-OFF release" mechanism automatically releases the tape from the magnetic head, then enters Standby mode. When the ignition is turned ON, Playback mode automatically restarts.

• Example

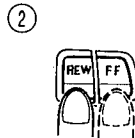


How To Fast-Forward And Rewind Tapes

Press the FF button to fast-forward the side being played; when the tape end is detected, the tape is reversed and playback starts from the beginning of the other side.

Press the REW button to rewind the tape to its beginning, where playback restarts.

Lightly press the PROG button to start playback from the current position during fast-forward or rewind.



- ① Load a cassette and press the Music Scan Preset button (No. 6).
 - ② Press the REW or FF button.
- When the beginning of the specified tune is detected, the indication number goes out and tape playback starts.

Note:

During scanning, when the tape is rewound to its beginning in Rewind mode, playback starts from the beginning of that side. When the tape reaches its end in Fast-Forward mode, it is reversed and played from the beginning of the other side.

Note:

In the following cases, the Multi Music Scan mechanisms may not operate correctly. These are NOT malfunctions; use the mechanisms to suitably accommodate the materials and situations.

- Tapes with tunes having long pianissimo passages (very quiet parts) or non-recorded portions during tunes.
- Tapes with tunes recorded at low recording levels.
- Tapes with short non-recorded sections.
- Tapes with high level noise or humming between tunes.
- The Dolby NR button settings do not match the tape's NR mode.

Auto-Reverse Mechanism

When the tape reaches its end, this mechanism automatically switches over to play back the other side. To listen to the other side of the tape during playback, press the PROG button. The change in direction can be checked in the Tape Direction indicator.

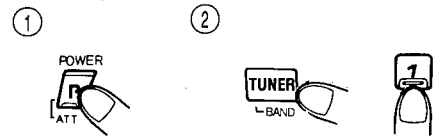
Multi Music Scan Operation

This function enables you to automatically start playback from the beginning of a specified tune (by skipping over a maximum of 6 tunes), in forward or reverse.

RADIO OPERATION

To Change The Intervals Between Channels

When this unit is shipped, the channel intervals are set to 10 kHz for AM and 200 kHz for FM. If the unit is used in an area other than North or South America, adjust as follows:

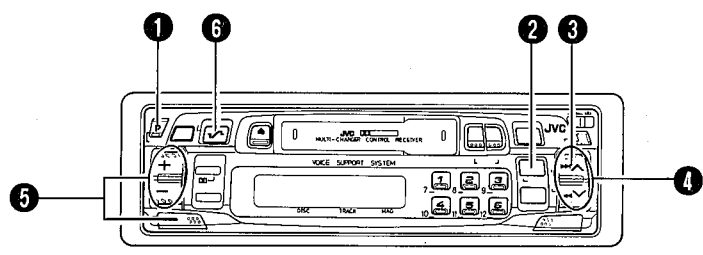
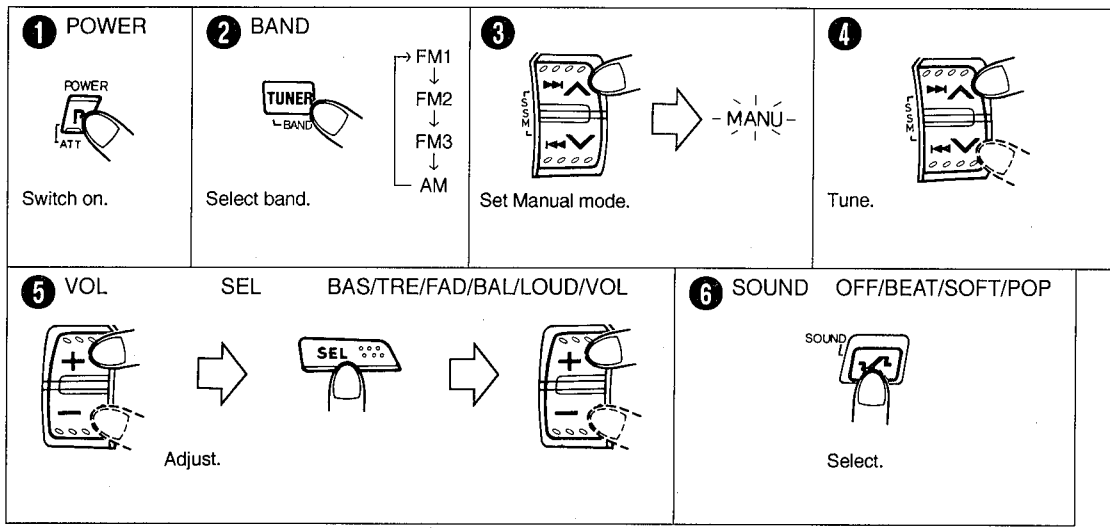


- ① Switch the power ON.
- ② While pressing the BAND button, press Preset Station button 1 for more than 3 seconds.

Performing this procedure sets the channel intervals to 9 kHz for AM and 50 kHz (Manual mode), 100 kHz (Seek mode) for FM.

To change back to the original intervals, repeat the above operation.

Operate in the order shown.

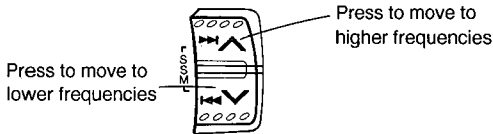


Manual Tuning

Set Manual mode by pressing the tuning button (▲ or ▼) for more than 1 second. When the MANU indicator is blinking, the unit is in Manual mode. Press the Tuning button, to move up/down the frequency band. Scanning continues as long as either side of the button is pressed.

Frequency scan steps are as follows:
 FM — in 200 kHz/50 kHz units
 AM — in 10 kHz/9 kHz units

- About 5 seconds after completing manual tuning, the unit switches back to Seek mode and the MANU indicator goes out.



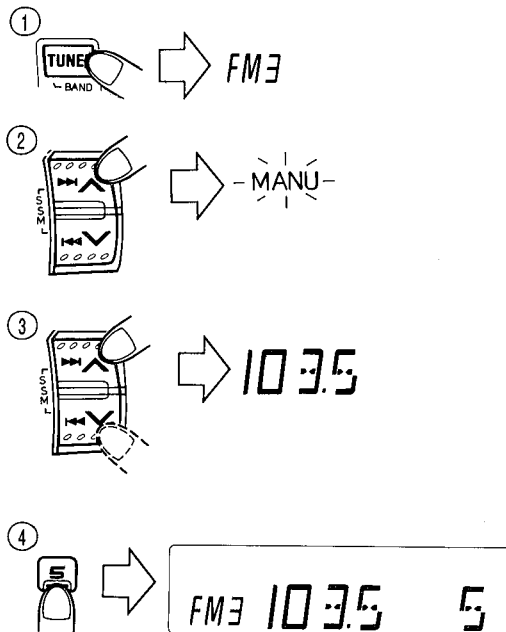
Seek Tuning

Press the ▲ or ▼ button; the unit enters the seek tuning mode and tunes to higher or lower frequencies. When a broadcast is received, tuning stops automatically and the broadcast can be heard.

Preset Button Tuning

How to Preset Stations
 6 stations in each band (FM1, FM2, FM3 and AM) can be preset as follows:

- Example (when presetting Preset Station button "5" of the FM3 band to an FM station at 103.5 MHz)



- ① Select the FM3 band using the Band (BAND) button.
 - ② Set Manual mode.
 - ③ Tune to the desired station.
 - ④ Press Preset Station button "5" for more than 2 seconds. (When "5" blinks in the Preset Station display, the station is preset.)
- Repeat the above procedure for the other 5 Preset Station buttons and other bands (FM1, FM2 and AM).

Notes:

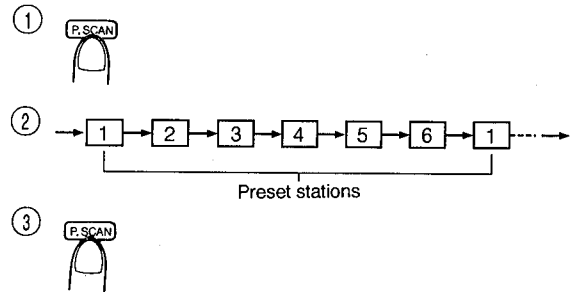
- A previously preset station is erased when a new station is stored in memory.
- The preset stations are erased when the power supply to the memory circuit is interrupted during battery replacement, etc. When this occurs, preset the stations again.

Preset Tuning

- ① Select the band.
- ② Press the required Preset Station buttons (No. 1 to No. 6).

Preset Scan Button Tuning

This function makes it possible to automatically scan preset FM and AM stations.



- ① Press the P. SCAN button.
- ② Scanning is performed in the order of the preset stations in each frequency band (FM1, FM2, FM3 and AM). Each preset station is heard for approx. 5 seconds.
- ③ When the required station is heard, press the P. SCAN button again.

Strong-Station Sequential Memory (SSM)

This function searches for FM stations broadcasting strong signals. The 6 strongest stations are held in memory in the order of increasing frequency, and can be recalled with the Preset Station buttons No. 1 to No. 6. (Procedure)

- ① Press the SSM buttons (▲, ▼) for more than 3 seconds.
- ② The strongest signals in the band you are listening to (FM1, FM2 or FM3) will be searched and selected automatically. Six stations are preset in the Preset Station buttons (No. 1 to No. 6), in the order of increasing frequency. (During this operation, "----" lights in the display.) The unit then automatically tunes to the broadcast stored in Preset Station button "1".

Note:

Previously preset stations are canceled automatically when SSM is used.

Mono Button

When listening to FM, set the MONO button to stereo or mono.

Note:

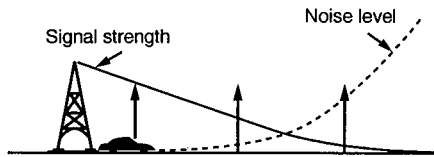
Set to MONO when a stereo FM broadcast is too noisy and cannot be heard satisfactorily.

FM Pulse Noise Suppressor

This unit has built-in circuitry to effectively eliminate engine noise picked up by the antenna, etc. in the form of FM pulses, for a more favorable FM reception.

Automatic FM Noise Suppressor (AFNS)

This unit incorporates an automatic FM noise suppression circuit to ensure satisfactory reception of FM broadcasts when a vehicle is moving and signal strengths are continuously fluctuating.



Signal strength	A	B	C
	Strong	Not so strong	Weak
Auto blend	Stereo	Blend	Mono
Auto high-cut	-	➔	(Operates)



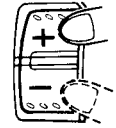
CD AUTOMATIC CHANGER OPERATION

PRECAUTIONS


- This unit is for the control of a JVC CD Automatic Changer (to be purchased separately).
(Applicable models; XL-MK500/MG700RF/MG800RF/MG1800/KD-MK70/MK66 etc.)
- For correct usage, refer to the Instructions of the CD Automatic Changer.
- When there are no discs in the CD changer's magazine or the discs are inserted upside down, "----" will be shown in the display. If this happens, remove the magazine and set the discs correctly.
- When "RST1 – RST8" is shown in the display of the unit, confirm that the cord is connected and press the RESET button of the CD Changer.

PLAYING COMPACT DISCS

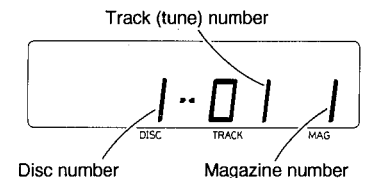
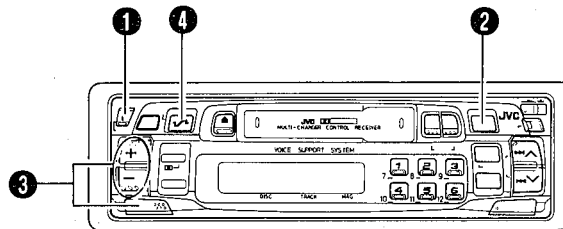
How To Play All Tracks
Operate in the order shown.

<p>1 POWER</p>  <p>Switch on.</p>	<p>2 CD</p>  <p>Set to the CD mode.</p>	<p>3 VOL SEL BAS/TRE/FAD/BAL/LOUD/VOL</p>  <p>Adjust.</p>
---	---	---

4 SOUND OFF/BEAT/SOFT/POP



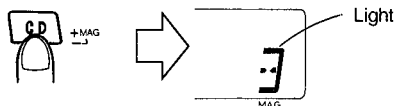
Select.



- When all tracks on the first disc have been played, the second disc starts automatically from the first track.

Magazine Selection

- Press the Magazine Select button (+MAG) for more than 1 second to select the required magazine.
(Example: to select the 3rd magazine in the XL-MG1800 changer.)



- When selecting the 10th or higher magazine with four or more connected XL-MG1800 changers, the unit digit of the magazine number blinks.
(For example, when the 18th magazine is being selected, the "8" blinks.)

Note:

The KS-RT808/RT707 can be connected to up to 6 XL-MG1800s, each containing 3 magazines, which means that the KS-RT808/RT707 can control up to 18 magazines.

Disc Selection

• Direct disc selection

Press the disc number button that corresponds to the desired disc (press it quickly to select No. 1 through No. 6 or for more than 1 second to select No. 7 through No. 12). The disc number and track number light and CD play starts.

Example: (To specify disc 5)

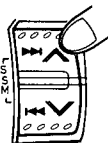


Skip Playback

- During playback, you can easily skip to the beginning of the previous, current, or next track, and playback will start again from there.

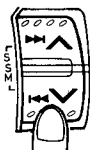
How to listen to the next track...

Press the (▶▶) button once to skip to the beginning of the next track.



How to listen to the previous track...

Press the (◀◀) button once to skip to the beginning of the current track, then again to skip to the previous track.

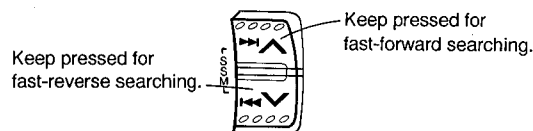


* When Magazine Select, Disc Select and Skip operations are performed in sequence, the required track from a designated disc can be selected.

Search Playback

(How to locate a required position on the disc.)

- The required position can be located using fast-forward or reverse search during playback.
- Hold down the button to commence searching. (The search speed increases the longer the button is pressed.)
- Since a low sound level can be heard (approx. one quarter of playback), monitor the sound and release the button when the required position is located.



Random Playback

Each time the RND button is pressed, the mode changes from Random 1 (the RND indicator lights) to Random 2 (the RND indicator blinks) to Clear.

Random 1:

Randomly plays all tracks on the current disc once, then on each of the following discs in order.

Random 2 :

Randomly selects and plays tracks from all of the CDs in the loaded magazine.

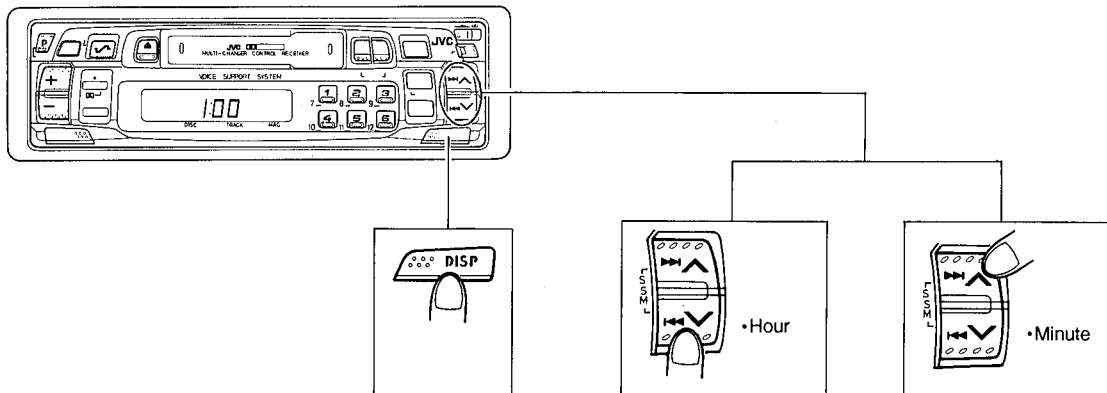


DIGITAL CLOCK DISPLAY

To select Time mode, press the DISP button. When any operation button is pressed in Time mode, the display changes to indicate the source mode selected, and returns to Time mode after a few seconds. Press the DISP button again to cancel Time mode.

How To Adjust The Time

Make sure the display is in Time mode, then, while pressing the DISP button, press the Hour Adjustment button (∨) to adjust the "hours", and press the Minute Adjustment button (∧) to adjust the "minutes".



MAINTENANCE

• Cleaning The Head

Heads are important as they pick up sound. When they become dirty, the following symptoms become noticeable:

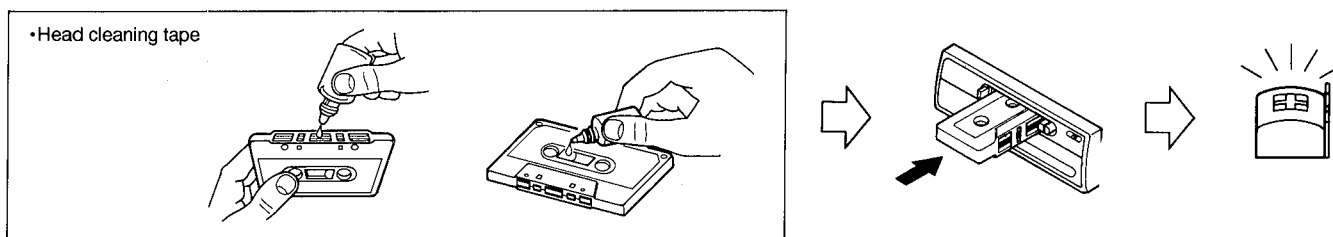
- The sound quality is reduced.
- The sound level is decreased.
- The sound can be heard intermittently. (Sound drop occurs.)

These are NOT malfunctions. However, before these symptoms appear, clean the heads after every 10 hours of use using a wet-type head cleaning tape, available from an audio store. For more details, refer to the Instructions of the Head Cleaning Tape.

• Cleaning The Connector

If the control panel is frequently detached, a poor connection may occur with the control panel holder. To minimize this possibility, periodically wipe the connector with a cotton swab or cloth moistened with alcohol, being careful not to damage the connector terminals.

Your unit requires very little attention, but you will be assured of top performance only if you follow the above notes.



TAPE CARE HINTS

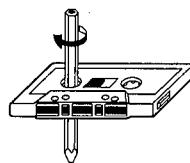
It is very important to keep your tapes clean. Always return them to their storage boxes after playback.

Never store tapes in direct sunlight, high humidity or extremely hot temperatures.

Never play dirty or dusty tapes — they can damage the head.

Slack tape in a cassette can cause trouble by becoming entangled with the capstan or pinch roller.

This may also cause the auto-reverse mechanism to malfunction. Avoid this by tightening the tape, as shown.

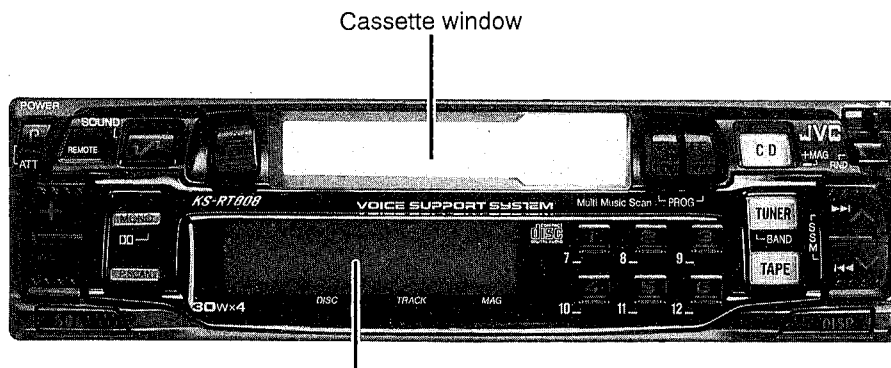


Note:

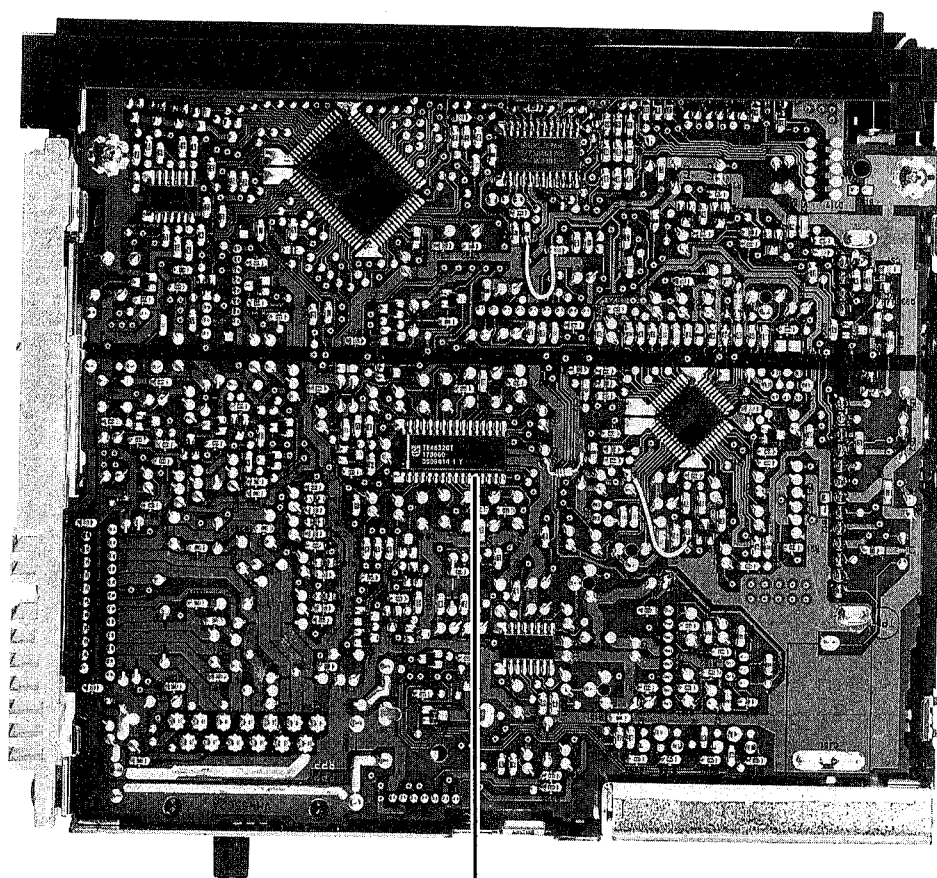
Always remove cassettes from the loading slot when not listening to them, as the tape may become slack.

1 Location of main parts

◆ Front panel ass'y



◆ Bottom side view



Main board

Fig. 9 - 1

◆ Main board (Top side) ass'y

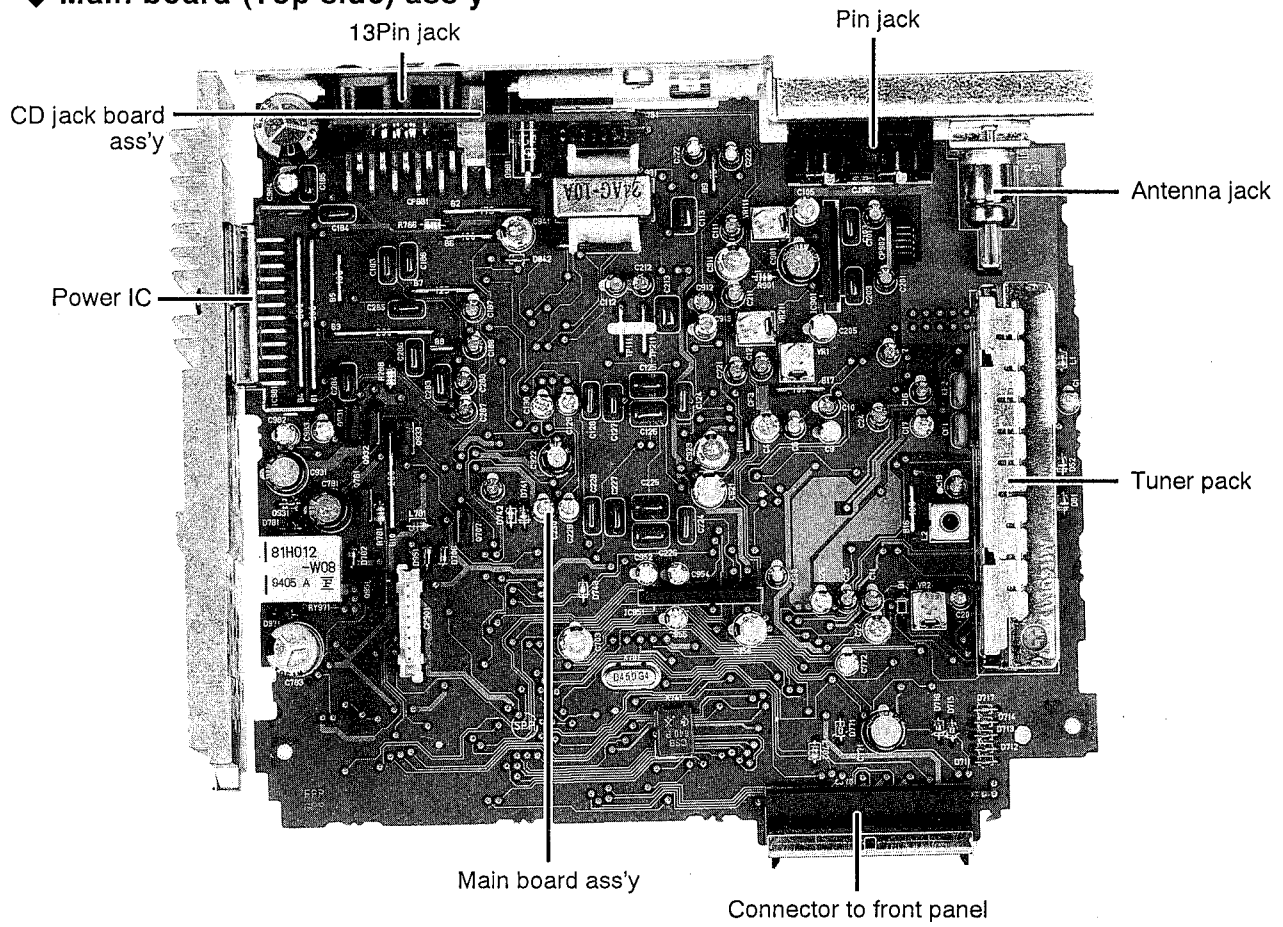


Fig. 1 - 2

◆ Mechanism ass'y

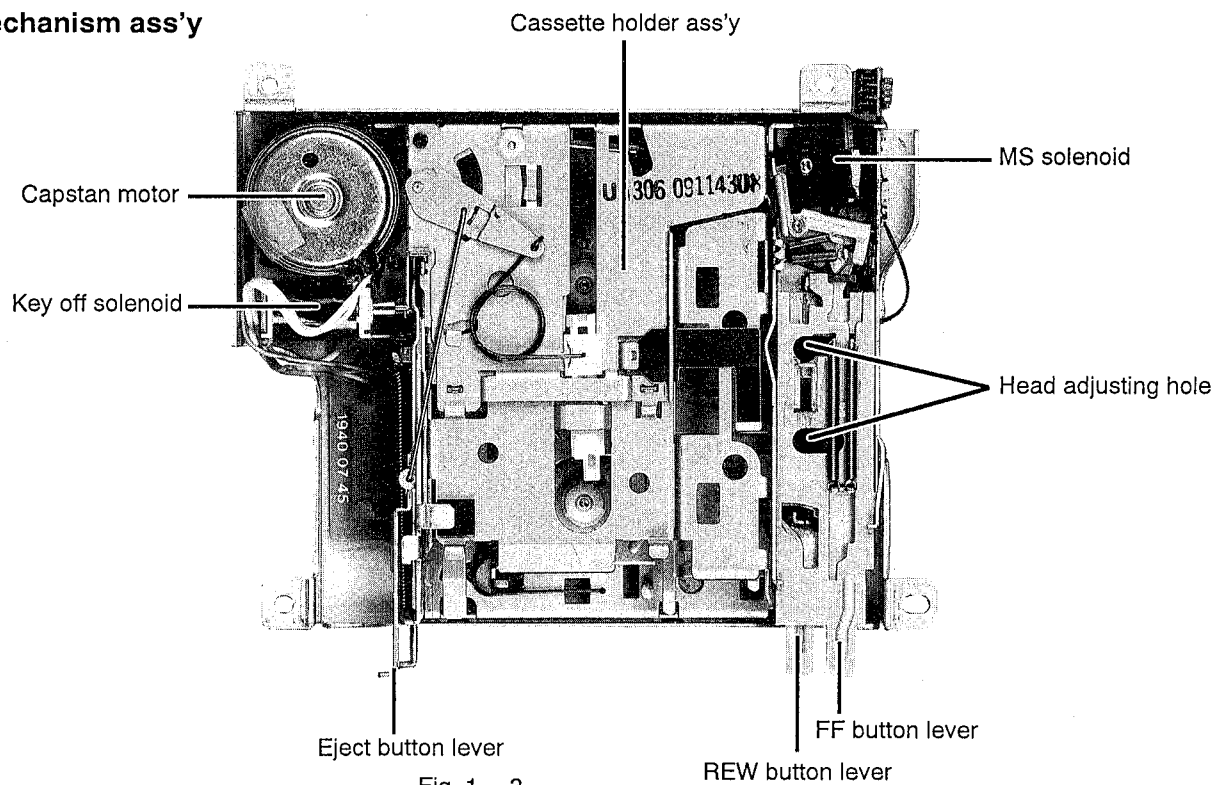


Fig. 1 - 3

2 Removal of Main Parts

■ Encosuer section

◆ Detaching the front panel unit (See Fig. 2-1)

Slide the Eject slide knob in the direction of arrows to detach the front panel unit.

◆ Removing the bottom cover (See Fig. 2-2)

Turn the unit upside down, then insert and turn the screwdriver to remove the bottom cover.

◆ Removing the front chassis (See Fig. 2-3)

Remove the four tabs in the right and left sides of unit and pull the front chassis forward to remove it.

◆ Removing the main P.C.B. assembly (with rear panel) (See Fig. 2-4)

1. Remove two screws ① retaining the rear panel to the chassis.
2. Remove one screw ② A retaining the IC to the heat sink.
3. Remove two screws ③ retaining the amp. P.C.B. assembly.
4. Lift up the main P.C.B. assembly to remove it. At this time, remove the connectors CP901 and CP902 connecting the main P.C.B. assembly and mechanism assembly.
5. Remove two screws ② to remove the heat sink.

◆ Removing the rear panel (See Fig. 2-4)

Remove five screws retaining the jacks or the like.
 Remove two screws ④ to remove the 8-pin jack.
 Remove one screw ⑤ to remove the 13-pin jack.
 Remove one screw ⑥ to remove the line-out jack.
 Remove one screw ⑦ to remove the antenna jack.

◆ Mechanism assembly (See Fig. 2-5)

Remove four mechanism assembling screws ⑧ retaining the top cover.

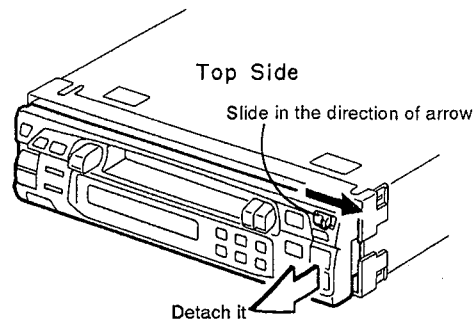


Fig. 2 - 1

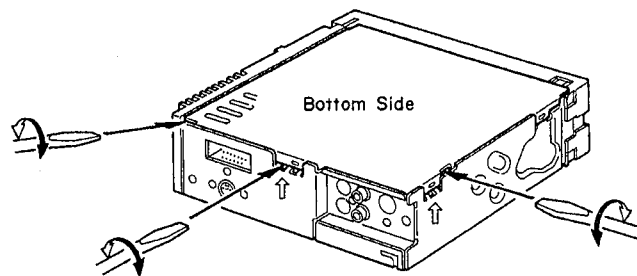


Fig. 2 - 2

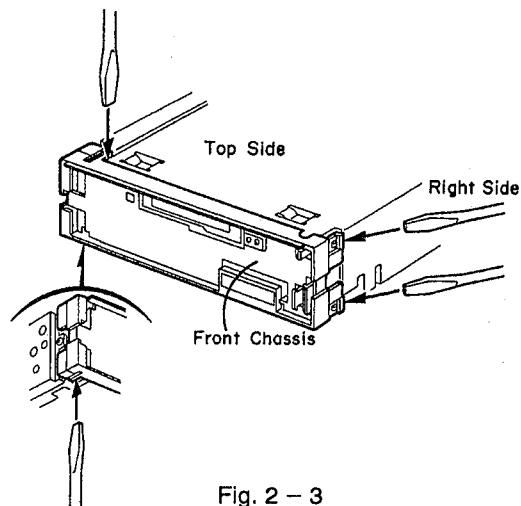


Fig. 2 - 3

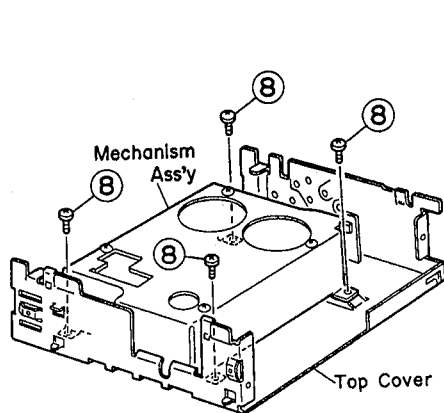


Fig. 2 - 5

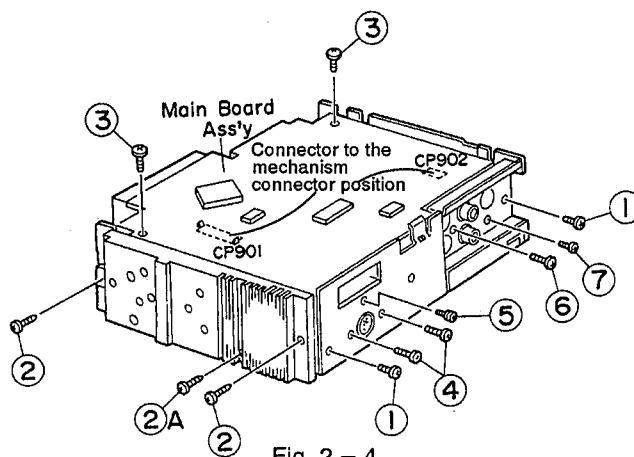


Fig. 2 - 4

■ Mechanism section

◆ Head Removal

1. Remove screw ① retaining the FR bracket.
2. Left the FR lever assembly up in the direction of the arrow and remove the FR lever assembly from the chassis slots.
3. Remove the screw ② retaining the head plate.
4. Remove two screws ③ retaining the head.
5. When replacing the head make sure to adjust screws(A-D) and perform head angle and height adjustment.

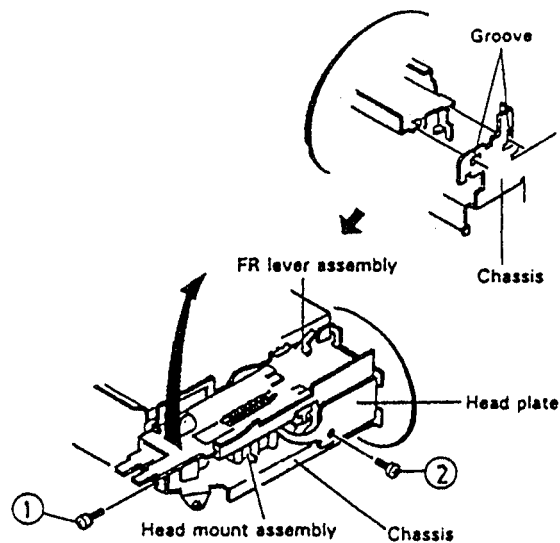


Fig. 2-6

◆ Pinch roller assembly

1. Remove the nylon washers retaining the left and right pinch rollers.
2. Pull out the pinch roller.

◆ Motor Assembly

Remove two screws(5) retaining the motor.

- ※ This operation is facilitated by leaving the belt hooked on to one of the chassis protrusions.

◆ Belt

Thread the belt as indicated in the figure when replacing the belt.

- ※ Take care to avoid contact with grease or oil when replacing the belt.

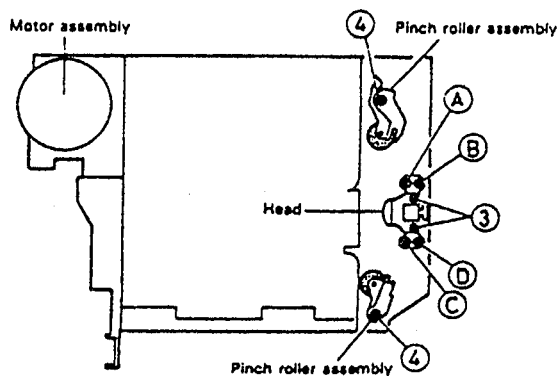


Fig. 2-7

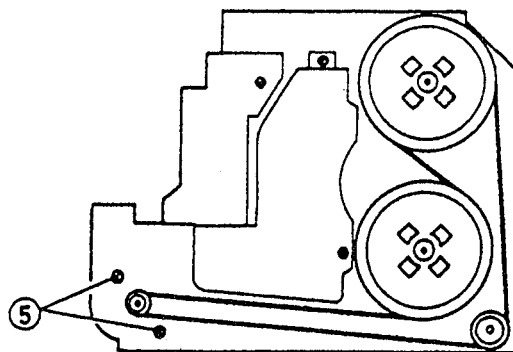


Fig. 2-8

3 Main adjustment

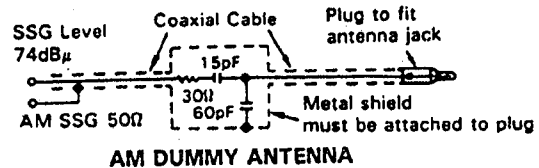
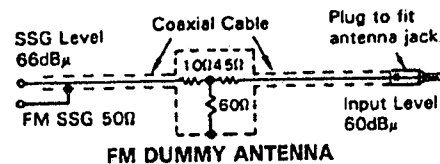
■ Equipment and measuring instruments used for adjustment

- Electronic voltmeter
- Audio frequency oscillator
(range:50~20kHz and output 0 dB with impedance of 600 Ω)
- Attenuator(impedance;600 Ω)
- Frequency counter
- AM Standard signal generator
- FM Standard signal generator
- Wow flutter mater
- Torqu testing cassette gauge
CTG – N (mechanical adjusting)
TW – 2111A (FWD play)
TW – 2121A (REV play)
- Standard tape
VTT712(tape speed,wow&flutter adj.)
VTT724(reference level)
VTT736(playback frequency response)
VTT721(output level)
SCC – 1659 (mirrer tape)
MTT – 942SP (azimuth)

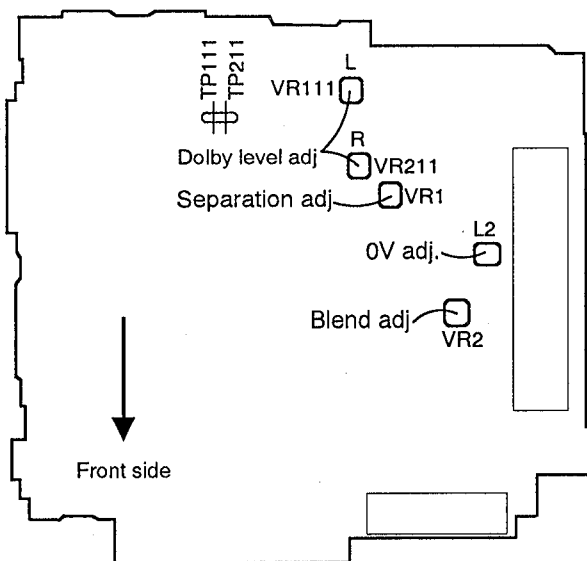
■ Condition for measurement

- Power Supply..... DC14.4V
(Reduced Voltage:10.5V)
 - Load 4 Ω
(4- speaker connection)
 - BASS/TRE, FADER Center
 - Main volume Position with an output level of 1.4V during VTT724 playback
- #### ■ Tuner section
- **[FM]**;400Hz, 22.5kHz deviation(MONO)
 - **[FM]**STEREO ;1kHz, 67.5kHz deviation, pilotsignal 7.5kHz, 66dB μ V
 - **[AM]**;400Hz, 30% modulation ,74dB μ V
 - Output impedance ;50 Ω

■ Dummy antenna



■ Location of Adjustment



● Preset memory Initialization

Band	Preset Memory					
	M1	M2	M3	M4	M5	M6
FM(MHz)	87.5	89.9	97.9	105.9	107.9	87.5
AM(kHz)	530	600	1000	1500	1710	530

● Manual Tuning Up/Down Frequency

- [FM]**;200kHz Step
- [AM]**;10kHz Step

■ Information for using a Car Stereo service jig (for adjustment and checking)

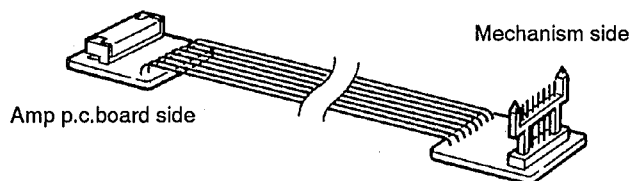
◆ For 1995, we're advancing efforts to make our extension cords common for all Car Stereo products.

Please use this type of extension cord as follows.

◆ As a U - shape type top cover is employed, this type of extension cord is needed to check operation of the mechanism assembly after disassembly.

◆ Extension cords

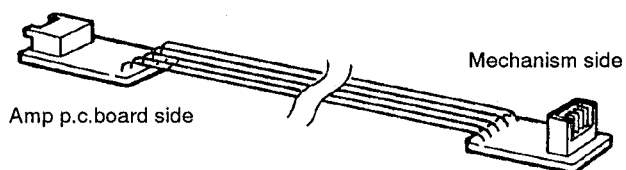
EXT - KSRT001 - 8P (8 pin extension cord)



For connection between mechanism assembly and main PCB assembly.

Check for mechanism-driving section such as motor, solenoid, etc.

EXT - KSRT001 - 5P (5 pin extension cord)



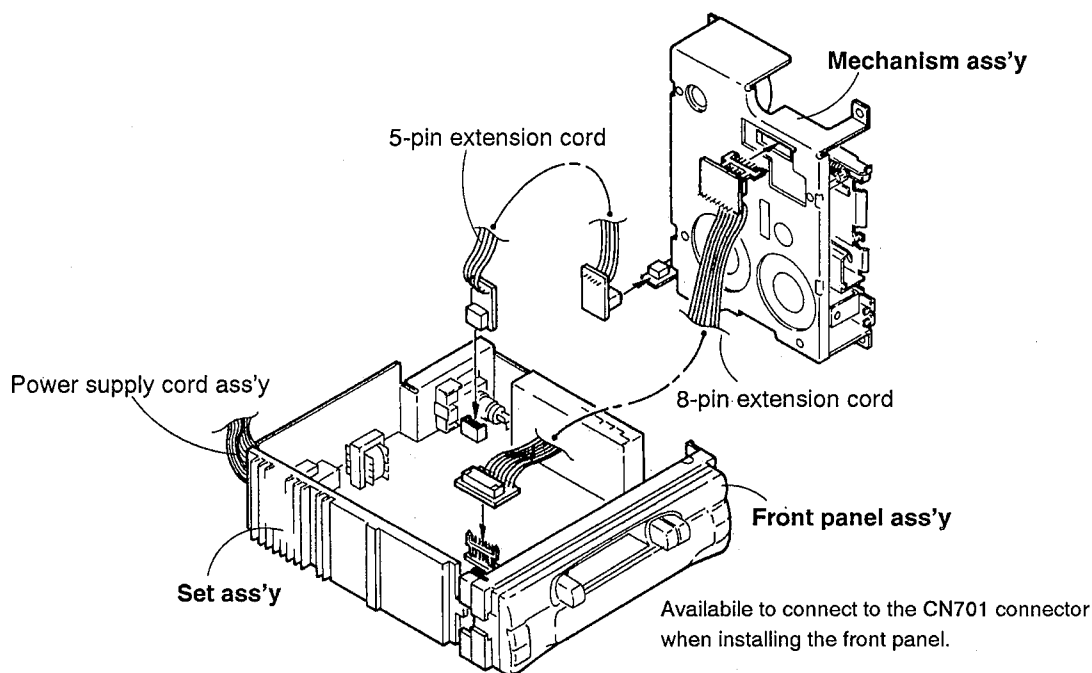
For connection between mechanism assembly and main PCB assembly.

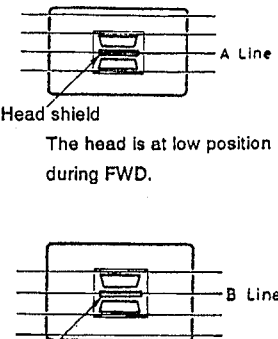
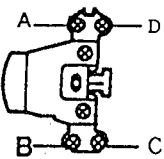
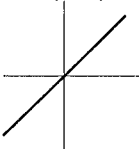
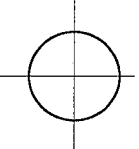
Check for head signal section.

◆ Disassembly method (Refer to method to remove main parts)

1. Remove the bottom cover.
2. Remove the front panel assembly.
3. Remove the top cover. (Remove the screws at each side of heat sink and rear panel.)
4. Install the front panel (whose assembly was removed in step 2) to the main unit.
5. Confirm that current is being carried by connecting an extension cord jig.

◆ Connection diagram


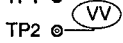


Item	Conditions	Adjustment and Confirmation methods	S.Values	Adjust
<p>1. Head azimuth adjustment</p>	<p>Test tape: SCC – 1659 MTT942SP(10kHz)</p>	<p>★ In case the head and its height have been changed, it will be necessary to adjust the height of the head.</p> <p>1. Adjustment of the height of head 1)When the mirror tape SCC – 1659(2-line tape) is travelling in the FWD direction, adjust the screws A and B so that the line A is located the center of the shield plate between the head channels. 2)When the mirror tape SCC – 1659(2-line tape) is travelling in the REV direction, adjust the screws C and D so that the line B is located the center of the shield plate between the head channels.</p> <p>2. Head azimuth 1)Adjust the screw B so that the output level becomes maximum(L-R difference level to be within 2 dB) and the phase difference becomes minimum (less than 90°) when MTT942SP is travelling in the FWD direction. 2)Adjust the screw C so that the output level become maximum (L-R difference level to be within 2-dB) and the phase difference become minimum (less than 90°) when MTT942SP is travelling in the REV direction. 3)By repeating the above adjustment steps 1) and 2),make sure that the output level and phase difference are as specified respectively . 4)There is no need to preform bonding after adjustment.</p>	<p>S.Values</p>  <p>Head shield</p> <p>The head is at low position during FWD.</p> <p>Head shield</p> <p>The head is at high position during REV.</p> <p>Output level: Maximum</p>  <p>screw – D</p> <p>Output level: Maximum</p> <p>screw – C</p> <p>phase (0°)</p>  <p>(90°)</p> 	<p>Adjust</p>
<p>2. Tape speed and wow flutter confirmantion</p>	<p>Test tape:VTT712 (3kHz)</p>	<p>1.Check to see if the reading of the F. counter/wow flutter meter is within 3015~3045 (FWD/REV), and less than 0.35% (JIS RMS) . 2. In case of out of specefication, adjust the motor with a built-in volume resistor.</p>	<p>Tape speed: 3015 ~3045Hz Wow flutter:less than0.35%</p>	<p>Built-in volume resistor</p>
<p>3.Playback frequency response confirmation</p>	<p>Test tape:VTT724 (1kHz) VTT736 (125Hz/1kHz/8kHz)</p>	<p>1. Play test tape VTT724, and set the volume position at 2 V 2. Play test tape VTT736 and confirm 1kHz/8kHz: 0 ± 3dB, 1kHz/125Hz: 0 ± 3dB. 3. When 8 kHz is out of specification, it will be necessary to read adjust the azimuth</p>	<p>Speaker out 1kHz/125Hz :0 ± 3dB 1kHz/8kHz :0 ± 3dB</p>	

Item	Conditions	Adjustment and Confirmation methods	S.Values	Adjust
4.Maximum output power confirmation	Test tape :VTT721 (1kHz) volume:maximum BASS/TRE:center	1. Confirm the rear and front output be more than 8.3V((17W). (4-speaker connected.) 2. Confirm that consumption current at above condition to be less than 5A. 4. Sound leakage should not occur at volume minimum. 5. Oscillation should not occur at BASS/TRE at maximum.	Output level:more than 17W(8.3V) Consumption current :less than 5A	
5. Line out level adj.	Test tape:VTT721 (1kHz) Test point : line out	1.Confirm the line out level to be within 350~700mV	Line out level 350~700mV	
6. DOLBY NR level adj.	Test tape :VTT724 test point : Lch TP111 Rch TP211	1.Playback the test tape VTT724,Adjust VR111/VR211 so that the output level at terminal TP111/TP211 is 318mV. 2. Playback the non-signal recorded portion and turn on and off the DOLBY NR switch repeatedly while making sure that level difference at TP111 or TP211 is 8.5dB more.	318mV ± 2mV	Lch:VR111 Rch:VR211

■ Tuner section adjustment

(Each condition of input level is shown by EMF value(open load value) of SSG under using dummy antenna.)

Item	Conditions	Adjustment and Confirmation methods	S.Values	Adjust
1.Radio/Tape level difference	AM 1000 kHz, 1kHz, 30% modulation, 74dB μ	Against VTT724, the output difference level to be within - 7 to \pm 3 dB	within - 7 to \pm 3 dB	
2.FM 0V adjustment	Test point: TP1 ,TP2 FM 97.9MHz, 66 dB non modulation	Adjust L2 so that the TP1,TP2 DC voltage level become 0 V when 97.9 MHz is indicated.	0 \pm 10mV TP1  TP2 	L2
3.Separation adjustment	TP:AFout FM97.9MHz,66dB μ (1kHz,67.5kHz Dev. 7.5kHzDev.)	1. With signal of 97.9MHz,66dB μ supplied from the signal generator to L or R channel. 2. Adjust VR1 to minimize leak of a channel's output to other channel .	minimum	VR1
4.Bland adjustment	TP:AFout FM97.9MHz,66dB μ (1kHz,67.5kHz Dev. 7.5kHzDev.)	1. With signal of 97.9MHz,66dB μ supplied from the signal generator to L or R channel. 2. Adjust VR2 so that speaker output level of the other channel becomes 20dB and signal levels of the two channels are balanced.	20dB	VR2

4 Block diagram

■ Integrated circuit

◆ IC1 (LA1867M) FM IF

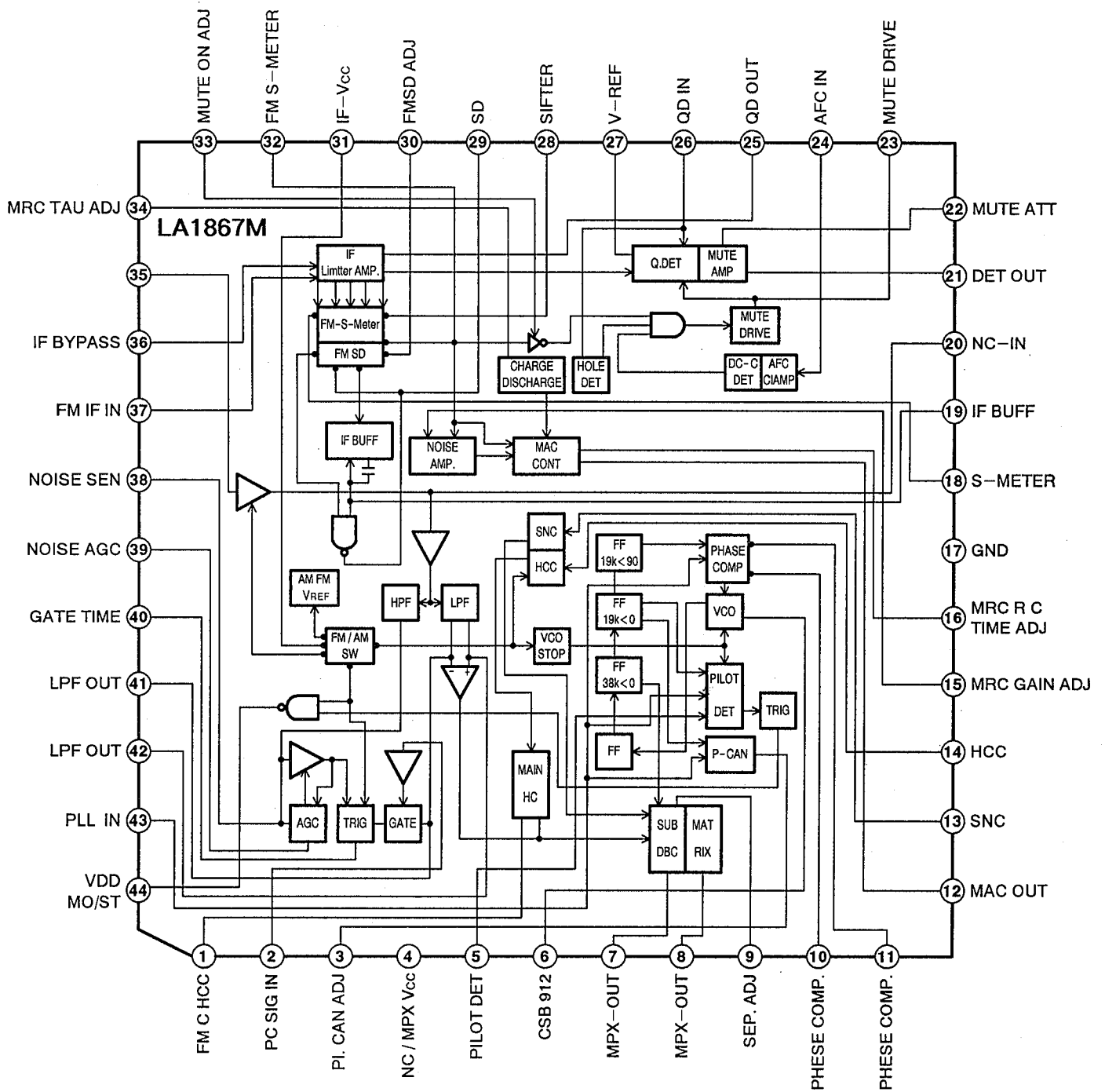


Fig. 4 - 1

◆ IC921 (TEA6320T) E . Volume

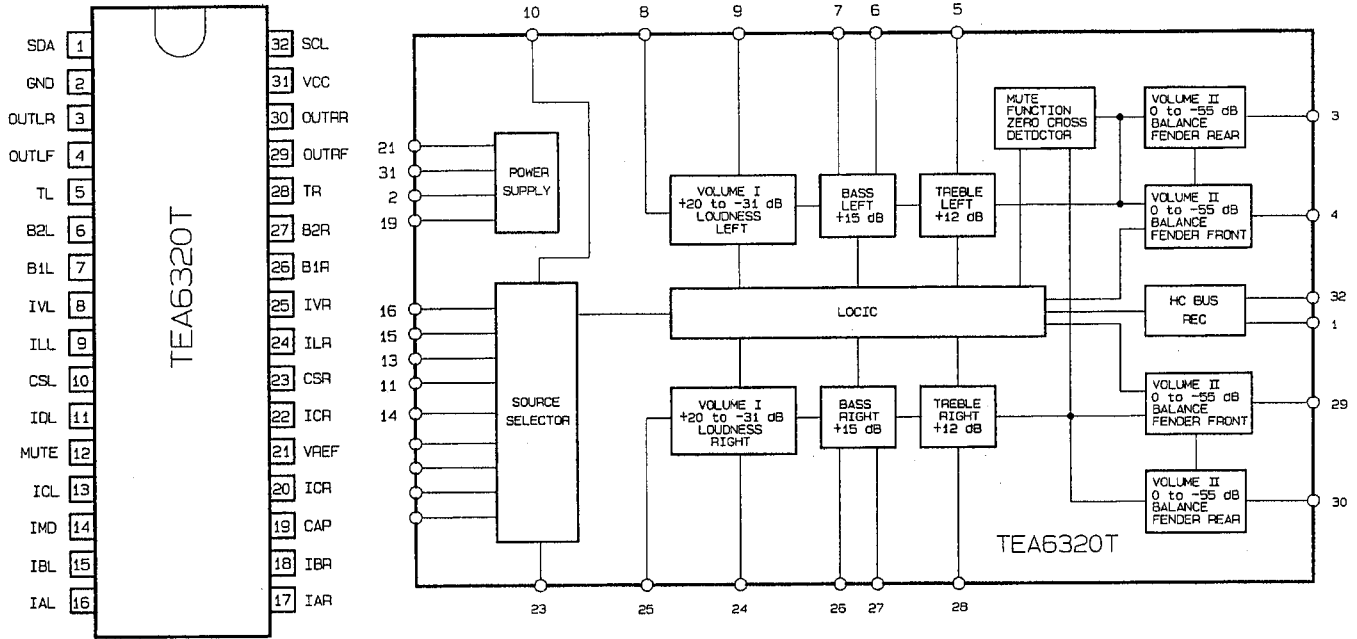


Fig. 4 - 2

◆ IC741 (UPD7758AGT) Voice cont.

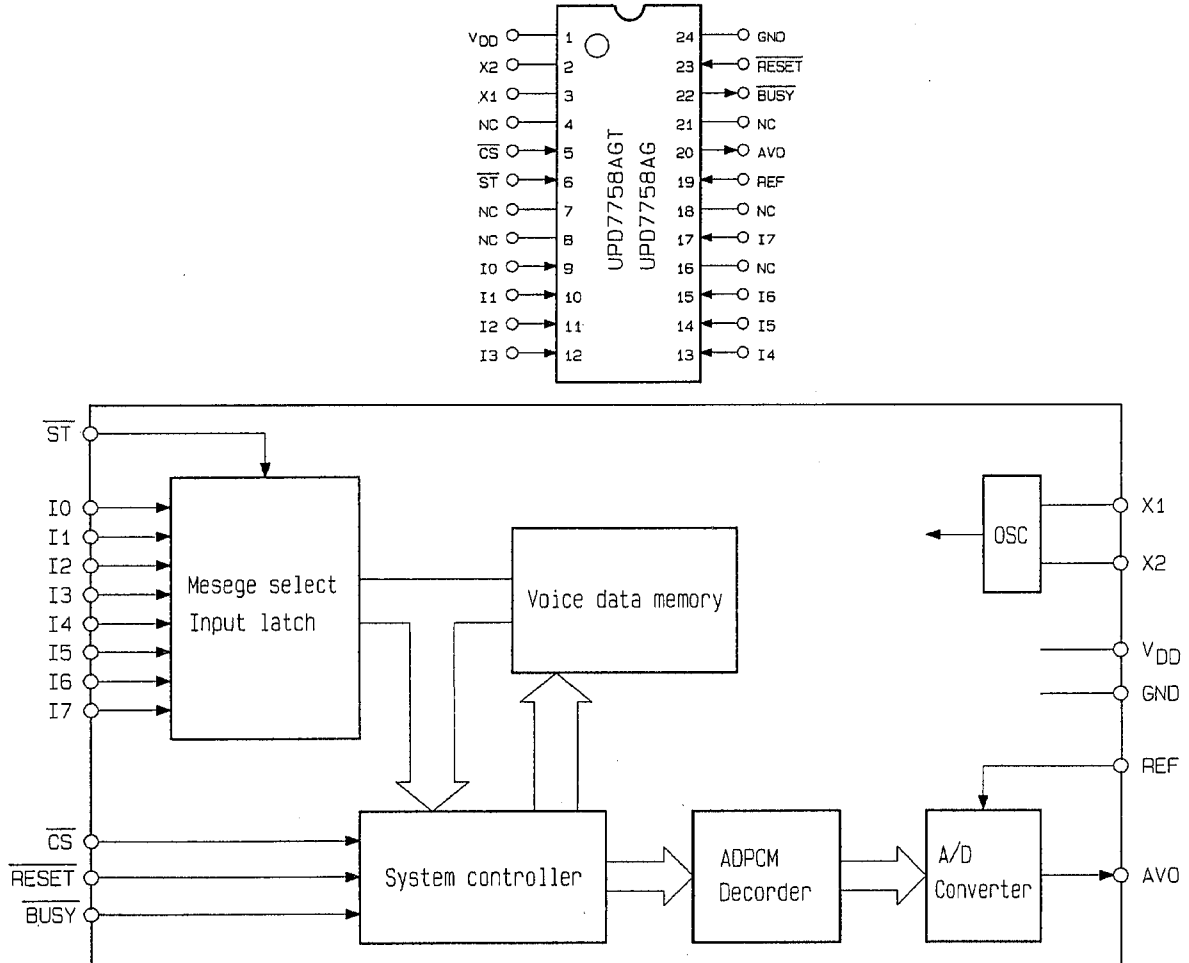


Fig. 4 - 3

◆ IC521 (LC7582E) LCD driver

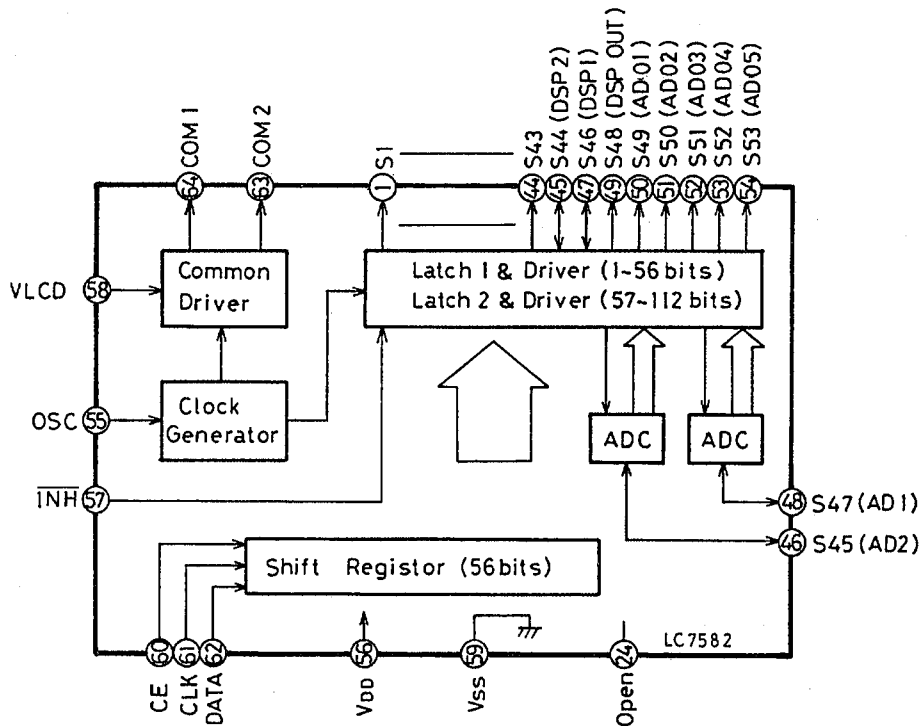
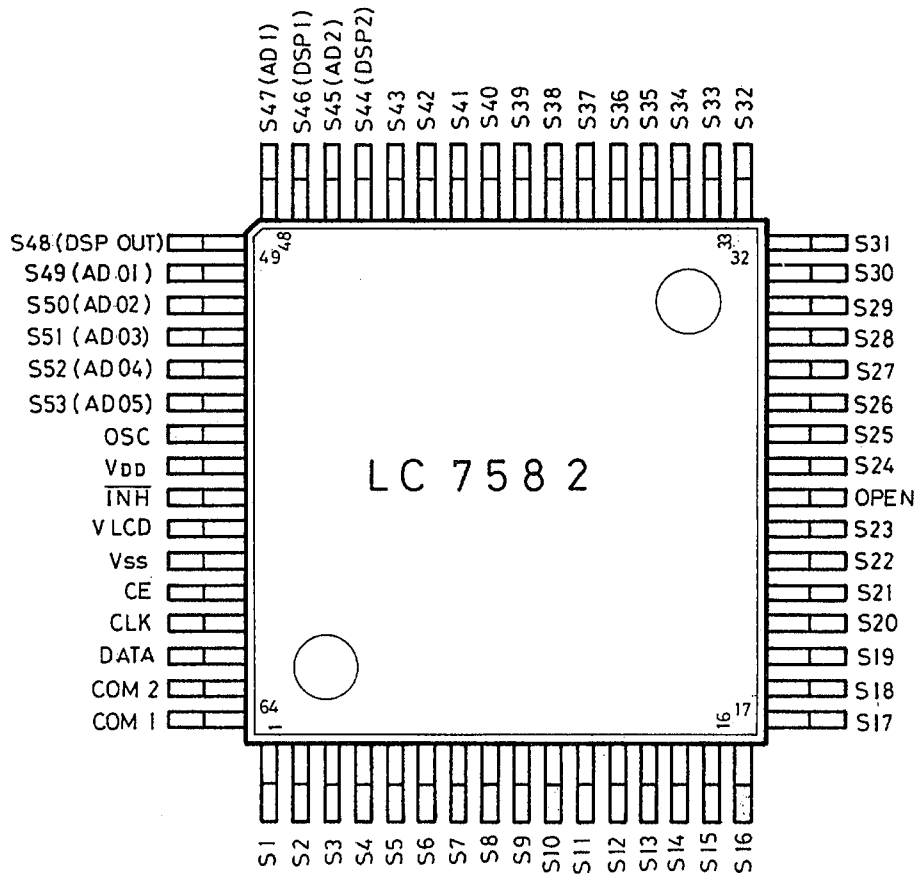


Fig. 4 - 4

◆ IC981 (HA13150A) Power amp.

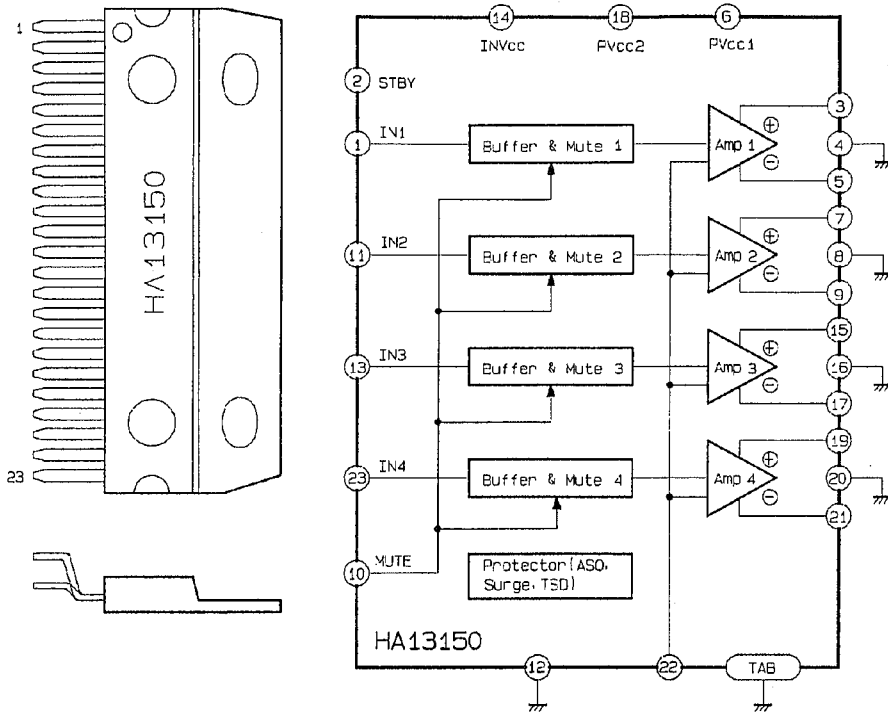


Fig. 4 - 5

◆ IC901 (UPC1228HA) Head amp.

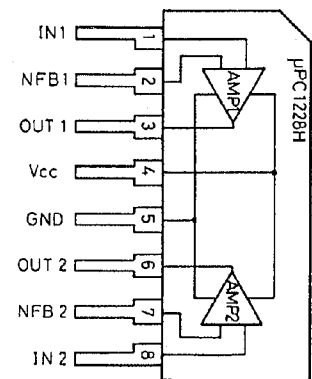


Fig. 4 - 6

◆ IC911 (HA12135AFT) DOLBY NR.

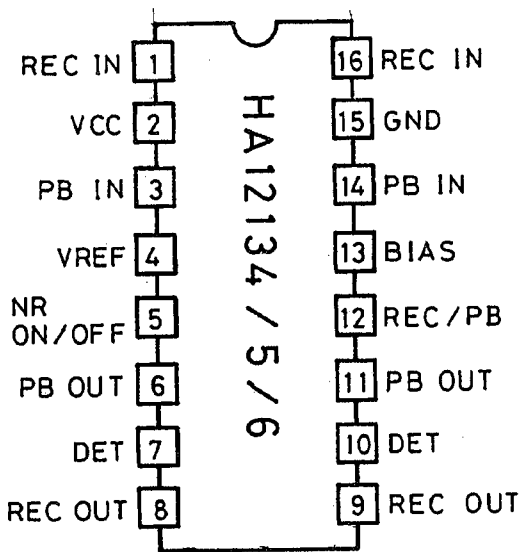


Fig. 4 - 7

◆ IC951 (LA2000S) MS

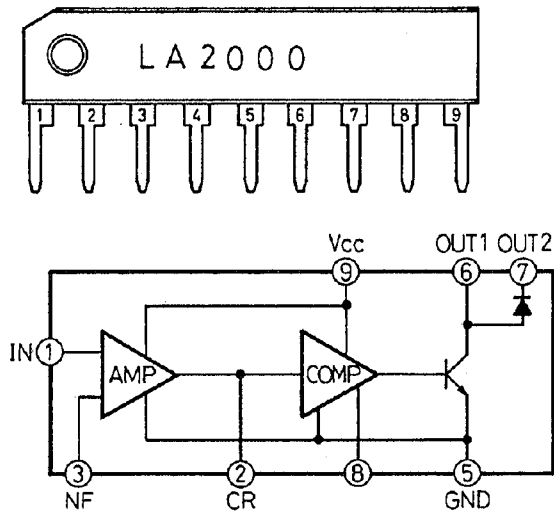


Fig. 4 - 8

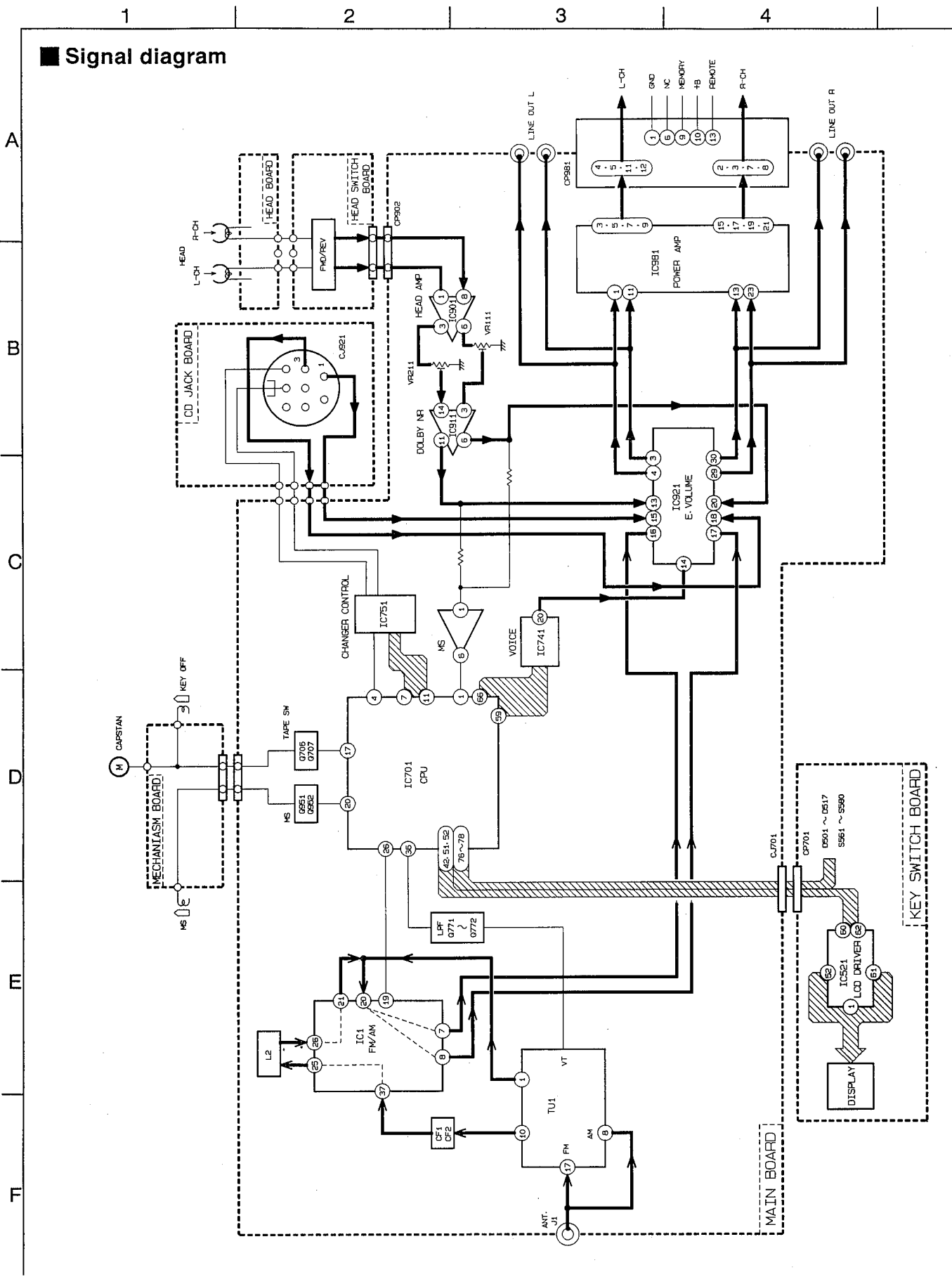
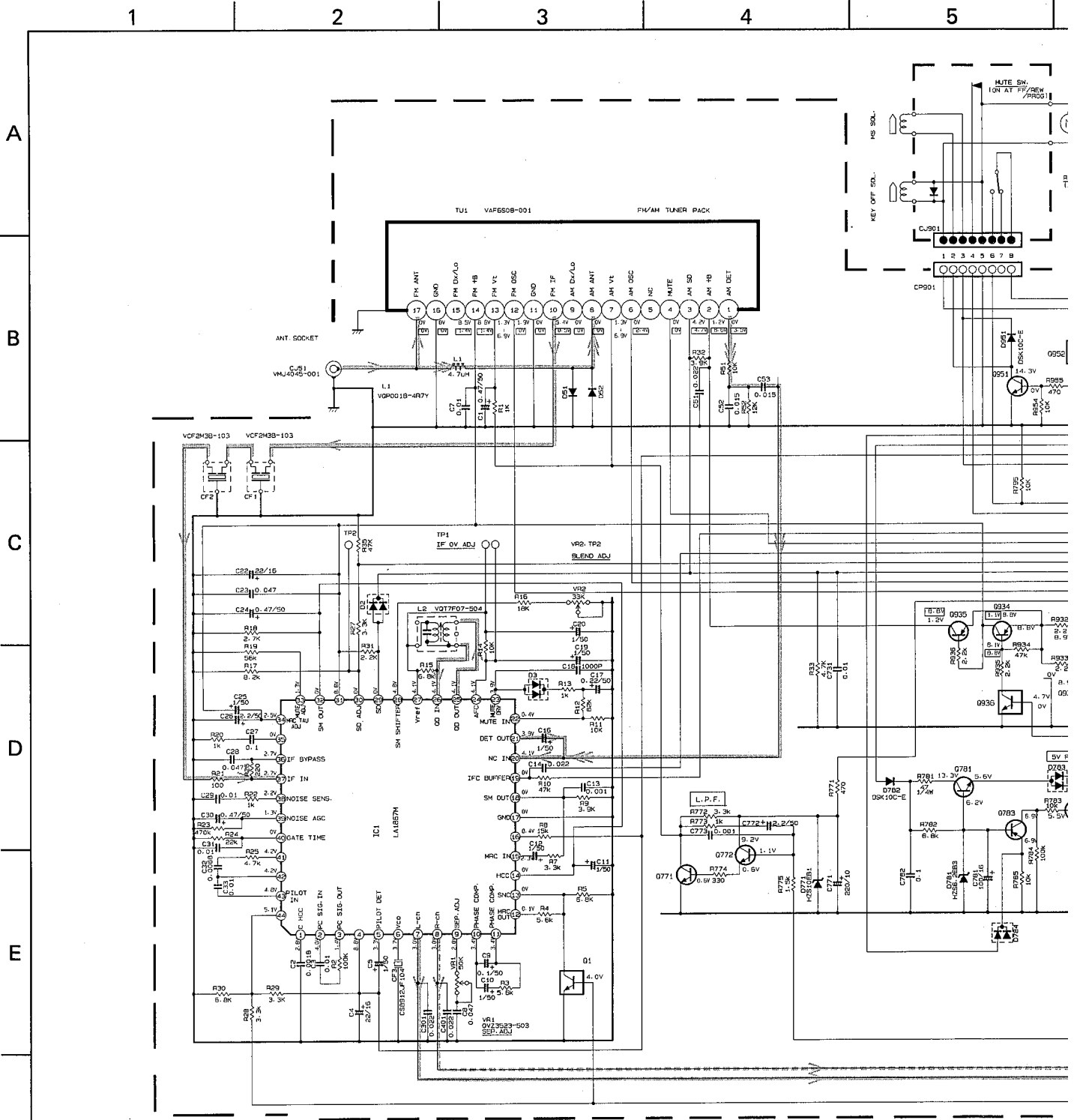
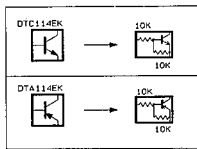


Fig. 4 - 9



- NOTES**
1. VOLTAGES ARE DC-MEASURED WITH A DIGITAVOLT METER WITHOUT INPUT SIGNAL. CONDITION --- FM MODE --- AM MODE | TAPE MODE | CD MODE
 2. UNLESS OTHERWISE SPECIFIED:
 - ALL RESISTORS ARE 1/8W ±5% METAL GLAZE RESISTOR.
 - ALL CAPACITORS ARE 50V CERAMIC CAPACITOR OR 50V MYLAR CAPACITOR.
 - ALL RESISTANCE VALUES ARE IN OHMS (Ω).
 - ALL CAPACITANCE VALUES ARE IN MICROFARADS (μF).
 - ALL E-CAPACITORS ARE SHOWN IN THE FORM OF CAPACITANCE (μF)/RATED VOLTAGE (V).
 - ALL DIODES ARE 1SS133T OR MA165
 - CD 50V ±5% MYLAR CAPACITOR OR 50V ±5% THIN FILM CAPACITOR

DTC114EK	Q1, 701, 702, 703, 706, 786, 935
DTA114EK	Q841, 922
DTA144EK	Q711
2SC2412K (R)	Q771, 772, 784
2SA1037K (R)	Q782, 783
2SB815B7	Q934, 935
2SB1362 (HS)	Q707
2SD1051 (G, R)	Q921
2SD1994A (R, S)	Q781, 931, 932, 933
HSM2835C	D2, 3, 723, 724, 784, 941
HS-2835C	D783



Note
VDH3537001CV

Fig. 5-3

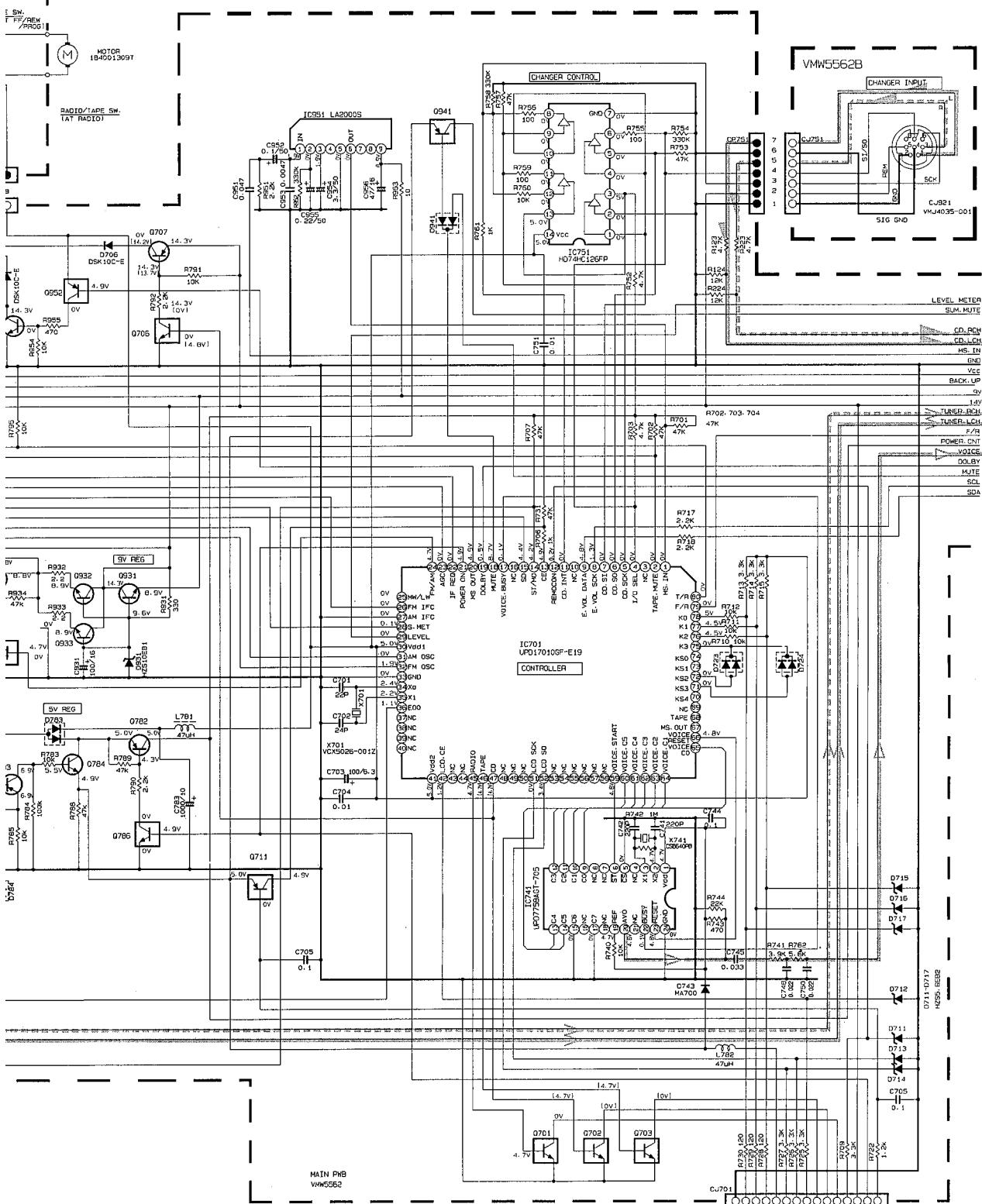
6

7

8

9

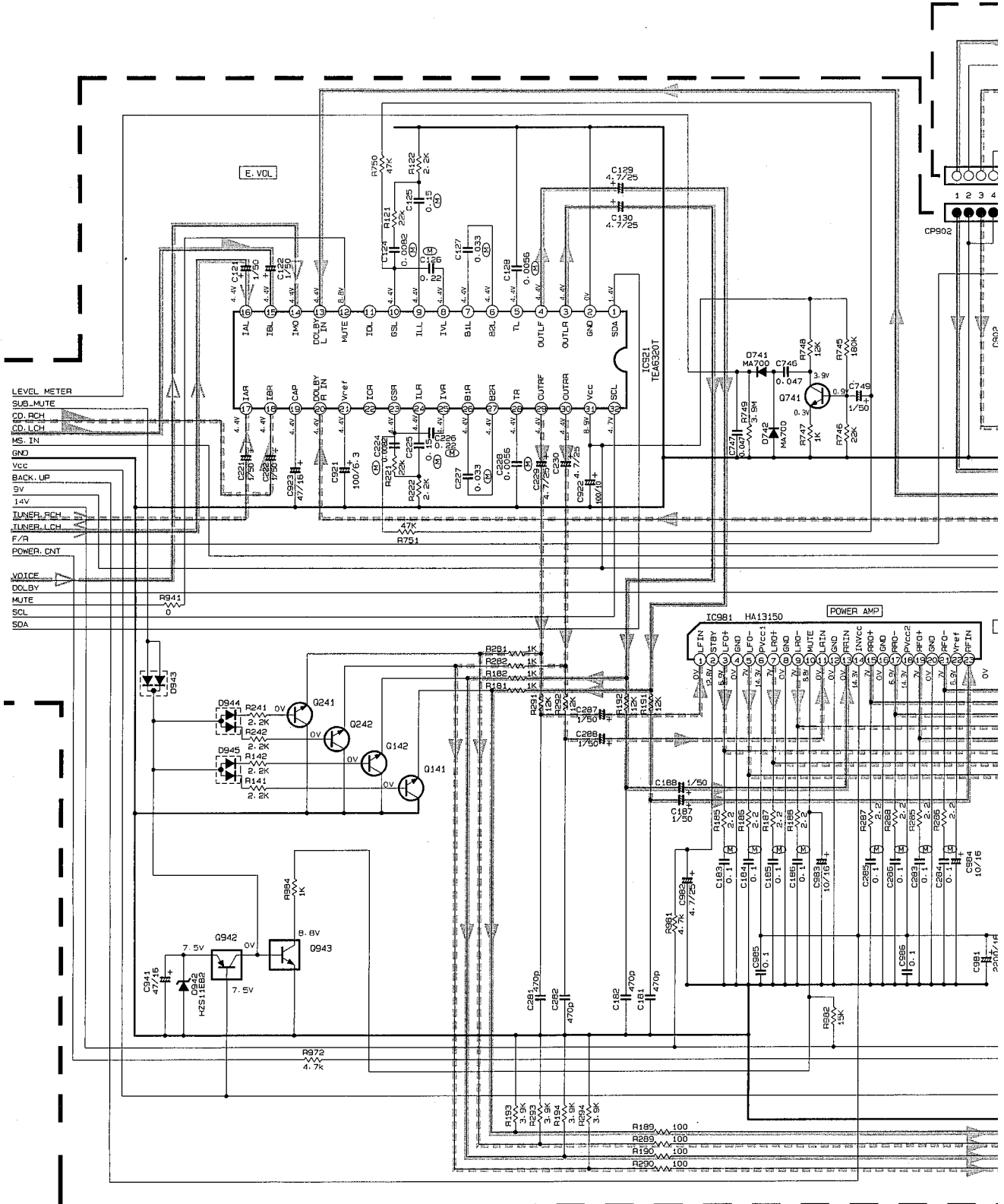
10



- AM Signal line
- VOICE Signal line
- FM and Radio signal line
- CD Signal line

1 2 3 4 5 6 7 8 9 10 11 12 13 14 15
 GND K1 K2 K3 SK1 SK2 SK3 DE CD9 CD10 TAPES REMCON
 1.5V 3.3K 1.5K 1.5K 1.5K 1.5K 1.5K 1.5K 1.5K 1.5K 1.5K 1.5K 1.5K 1.5K 1.5K

To A-3
 on page 31 (Fig. 5-1)



NOTES

1. VOLTAGES ARE DC-MEASURED WITH A DIGITAL VOLT METER WITHOUT INPUT SIGNAL.
CONDITION - - - FM MODE. () TAPE MODE
2. UNLESS OTHERWISE SPECIFIED:
ALL RESISTORS ARE 1/6W 5% CARBON RESISTOR.
ALL CAPACITORS ARE 50V CERAMIC CAPACITOR.
ALL RESISTANCE VALUES ARE IN OHMS.
ALL CAPACITANCE VALUES ARE IN nF(pF).
ALL E-CAPACITORS ARE SHOWN IN THE FORM OF CAPACITANCE(V) / RATED VOLTAGE(V).
ALL DIODES ARE 1SS133T
- - - MYLAR CAPACITOR

DTA114EK	Q942
DTC114TK	Q943
2SC2412K(R)	Q971
2SD1048X-G	Q141, 142, 241, 242
2SC1623161	Q741
HSM263BC	D943
HSM2639C	Q944, 945



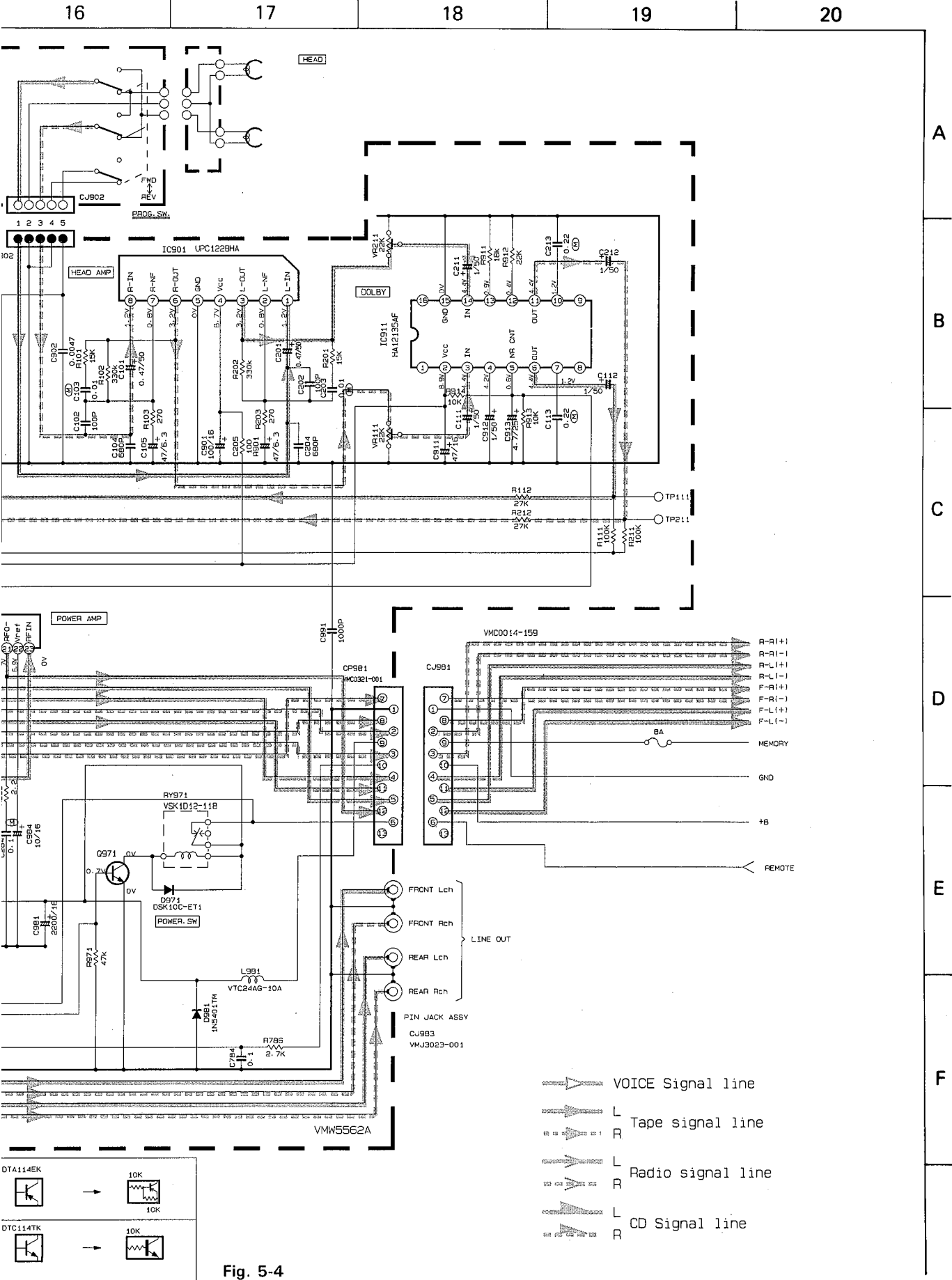


Fig. 5-4

6 Location of P. C. board parts and parts list Main board

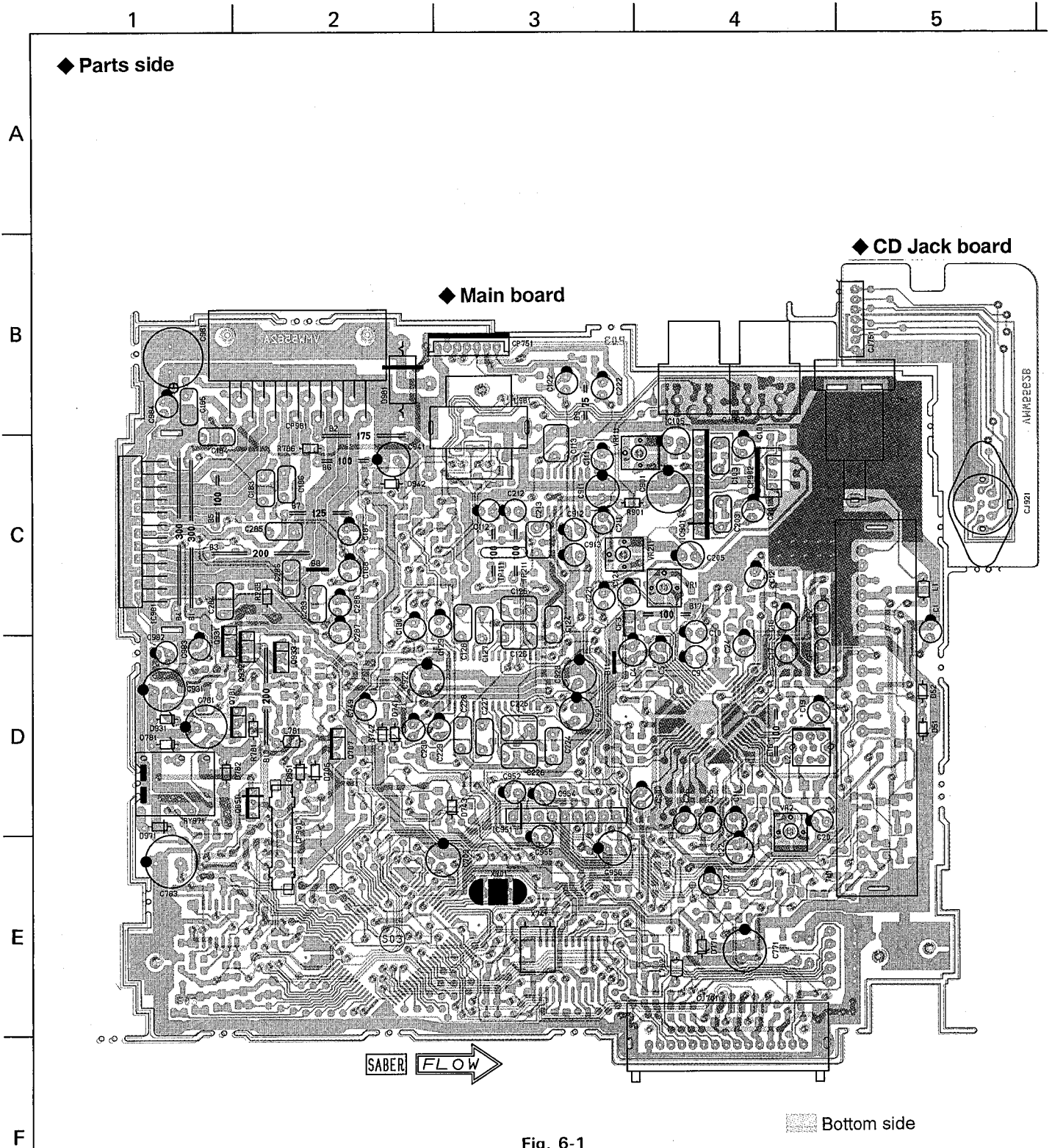


Fig. 6-1

6

7

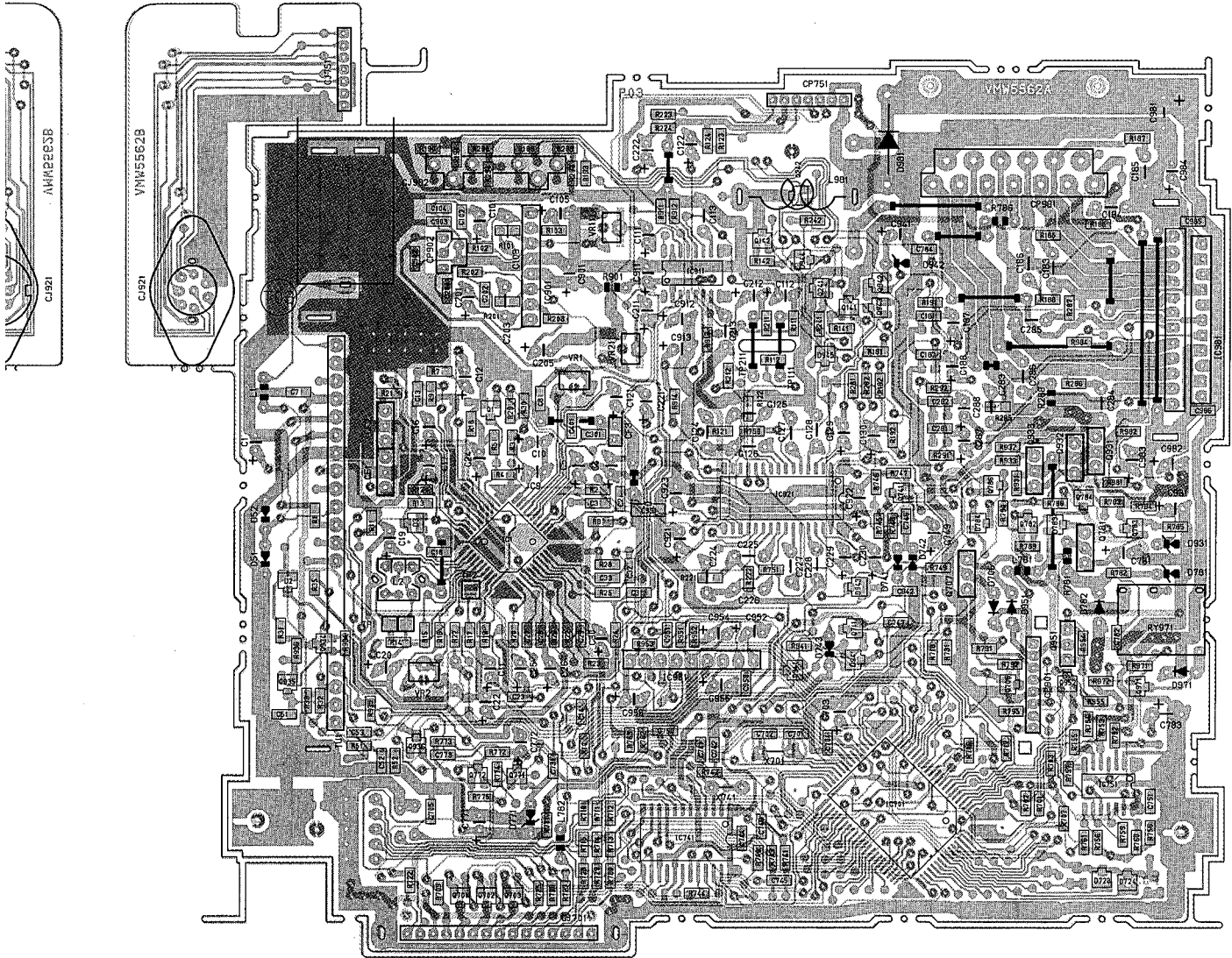
8

9

10

◆ Bottom side

rd



Parts side

Fig. 6-2

● Main board parts list

BLOCK NO. 01111111

REF.	PARTS NO.	PARTS NAME	REMARKS	SUFFIX
C 186	QFV41HJ-104ZM	FILM CAPACITOR	.10MF 5% 50V	
C 187	QER41HM-105VM	E.CAPACITOR	1.0MF 20% 50V	
C 188	QER41HM-105VM	E.CAPACITOR	1.0MF 20% 50V	
C 201	QERF1HM-474ZM	E.CAPACITOR	.47MF 20% 50V	
C 202	NCS21HJ-101AY	C.CAPACITOR	100PF 5% 50V	
C 203	QFV71HJ-103	FILM CAPACITOR	.010MF 5% 50V	
C 204	NCB21HK-681AY	C.CAPACITOR	680PF 10% 50V	
C 205	QERF0JM-476ZM	E.CAPACITOR	47MF 20% 6.3V	
C 211	QER41HM-105VM	E.CAPACITOR	1.0MF 20% 50V	
C 212	QER41HM-105VM	E.CAPACITOR	1.0MF 20% 50V	
C 213	QFV41HJ-224	FILM CAPACITOR	.22MF 5% 50V	
C 221	QER41HM-105VM	E.CAPACITOR	1.0MF 20% 50V	
C 222	QER41HM-105VM	E.CAPACITOR	1.0MF 20% 50V	
C 224	QFLA1HJ-822ZM	M.CAPACITOR	8200PF 5% 50V	
C 225	QFV11HJ-154AZM	FILM CAPACITOR	.15MF 5% 50V	
C 226	QFV41HJ-224	FILM CAPACITOR	.22MF 5% 50V	
C 227	QFV41HJ-333	FILM CAPACITOR	.033MF 5% 50V	
C 228	QFLA1HJ-562ZM	M.CAPACITOR	5600PF 5% 50V	
C 229	QER41EM-475VM	E.CAPACITOR	4.7MF 20% 25V	
C 230	QER41EM-475VM	E.CAPACITOR	4.7MF 20% 25V	
C 281	NCS21HJ-471AY	C.CAPACITOR	470PF 5% 50V	
C 282	NCS21HJ-471AY	C.CAPACITOR	470PF 5% 50V	
C 283	QFV41HJ-104ZM	FILM CAPACITOR	.10MF 5% 50V	
C 284	QFV41HJ-104ZM	FILM CAPACITOR	.10MF 5% 50V	
C 285	QFV41HJ-104ZM	FILM CAPACITOR	.10MF 5% 50V	
C 286	QFV41HJ-104ZM	FILM CAPACITOR	.10MF 5% 50V	
C 287	QER41HM-105VM	E.CAPACITOR	1.0MF 20% 50V	
C 288	QER41HM-105VM	E.CAPACITOR	1.0MF 20% 50V	
C 301	NCB21HK-223AY	C.CAPACITOR	.022MF 10% 25V	
C 401	NCB21HK-223AY	C.CAPACITOR	.022MF 10% 25V	
C 701	NCT21CH-220AY	C.CAPACITOR	22PF +50:-10% 1	
C 702	NCT21CH-240	C.CAPACITOR	24PF +50:-10% 1	
C 703	QER40JM-107	E.CAPACITOR	100MF 20% 6.3V	
C 704	NCB21HK-103AY	C.CAPACITOR	.010MF 10% 50V	
C 705	NCB21HK-104	C.CAPACITOR	.10MF 10% 25V	
C 731	NCB21HK-103AY	C.CAPACITOR	.010MF 10% 50V	
C 741	NCT21CH-221AY	C.CAPACITOR	220PF +50:-10%	
C 742	NCT21CH-221AY	C.CAPACITOR	220PF +50:-10%	
C 744	NCF21H7-104AY	C.CAPACITOR	.10MF +80:-20%	
C 745	NCB21HK-333AY	C.CAPACITOR	.033MF 10% 25V	
C 746	NCB21HK-473AY	C.CAPACITOR	.047MF 10% 25V	
C 747	NCB21HK-473AY	C.CAPACITOR	.047MF 10% 25V	
C 748	NCB21HK-223AY	C.CAPACITOR	.022MF 10% 25V	
C 749	QER41HM-105VM	E.CAPACITOR	1.0MF 20% 50V	
C 750	NCB21HK-223AY	C.CAPACITOR	.022MF 10% 25V	
C 751	NCB21HK-103AY	C.CAPACITOR	.010MF 10% 50V	
C 771	QERF1AM-227ZM	E.CAPACITOR	220MF 20% 10V	
C 772	QER41HM-225	E.CAPACITOR	2.2MF 20% 50V	
C 773	NCB21HK-102AY	C.CAPACITOR	1000PF 10% 50V	
C 781	QERF1CM-107ZM	E.CAPACITOR	100MF 20% 16V	
C 782	NCB21HK-104	C.CAPACITOR	.10MF 10% 25V	
C 783	QET41AM-108	E.CAPACITOR	1000MF 20% 10V	
C 784	NCF21H7-104AY	C.CAPACITOR	.10MF +80:-20%	
C 901	QERF1CM-107ZM	E.CAPACITOR	100MF 20% 16V	
C 902	NCB21HK-472AY	C.CAPACITOR	4700PF 10% 50V	

● Main board parts list

BLOCK NO. 01111111

REF.	PARTS NO.	PARTS NAME	REMARKS	SUFFIX
C 1	QER1HM-474ZM	E.CAPACITOR	.47MF 20% 50V	
C 2	NCB21HK-182AY	C.CAPACITOR	1800PF 10% 50V	
C 3	NCB21HK-103AY	C.CAPACITOR	.010MF 10% 50V	
C 4	QER41CM-226VM	E.CAPACITOR	22MF 20% 16V	
C 5	QER41HM-105VM	E.CAPACITOR	1.0MF 20% 50V	
C 7	NCB21HK-103AY	C.CAPACITOR	.010MF 10% 50V	
C 8	NCB21HK-473AY	C.CAPACITOR	.047MF 10% 25V	
C 9	QERF1HM-104ZN	E.CAPACITOR	.10MF 20% 50V	
C 10	QER41HM-105VM	E.CAPACITOR	1.0MF 20% 50V	
C 11	QER41HM-105VM	E.CAPACITOR	1.0MF 20% 50V	
C 12	QER41HM-105VM	E.CAPACITOR	1.0MF 20% 50V	
C 13	NCB21HK-102AY	C.CAPACITOR	1000PF 10% 50V	
C 14	NCB21HK-223AY	C.CAPACITOR	.022MF 10% 25V	
C 16	QER41HM-105VM	E.CAPACITOR	1.0MF 20% 50V	
C 17	QERF1HM-224ZM	E.CAPACITOR	.22MF 20% 50V	
C 18	NCB21HK-102AY	C.CAPACITOR	1000PF 10% 50V	
C 19	QER41HM-105VM	E.CAPACITOR	1.0MF 20% 50V	
C 20	QER41HM-105VM	E.CAPACITOR	1.0MF 20% 50V	
C 22	QER41CM-226VM	E.CAPACITOR	22MF 20% 16V	
C 23	NCB21HK-473AY	C.CAPACITOR	.047MF 10% 25V	
C 24	QERF1HM-474ZM	E.CAPACITOR	.47MF 20% 50V	
C 25	QER41HM-105VM	E.CAPACITOR	1.0MF 20% 50V	
C 26	QER41HM-225	E.CAPACITOR	2.2MF 20% 50V	
C 27	NCB21HK-104	C.CAPACITOR	.10MF 10% 25V	
C 28	NCB21HK-473AY	C.CAPACITOR	.047MF 10% 25V	
C 29	NCB21HK-103AY	C.CAPACITOR	.010MF 10% 25V	
C 30	QERF1HM-474ZM	E.CAPACITOR	.47MF 20% 50V	
C 31	NCB21HK-103AY	C.CAPACITOR	.010MF 10% 25V	
C 32	NCB21HK-682AY	C.CAPACITOR	6800PF 10% 50V	
C 33	NCB21HK-103AY	C.CAPACITOR	.010MF 10% 25V	
C 51	NCB21HK-223AY	C.CAPACITOR	.022MF 10% 50V	
C 52	NCB21HK-153AY	C.CAPACITOR	.015MF 10% 50V	
C 53	NCB21HK-153AY	C.CAPACITOR	.015MF 10% 50V	
C 101	QERF1HM-474ZM	E.CAPACITOR	.47MF 20% 50V	
C 102	NCS21HJ-101AY	C.CAPACITOR	100PF 5% 50V	
C 103	QFV71HJ-103	FILM CAPACITOR	.010MF 5% 50V	
C 104	NCB21HK-681AY	C.CAPACITOR	680PF 10% 50V	
C 105	QERF0JM-476ZM	E.CAPACITOR	47MF 20% 6.3V	
C 111	QER41HM-105VM	E.CAPACITOR	1.0MF 20% 50V	
C 112	QER41HM-105VM	E.CAPACITOR	1.0MF 20% 50V	
C 113	QFV41HJ-224	FILM CAPACITOR	.22MF 5% 50V	
C 121	QER41HM-105VM	E.CAPACITOR	1.0MF 20% 50V	
C 122	QER41HM-105VM	E.CAPACITOR	1.0MF 20% 50V	
C 124	QFLA1HJ-822ZM	M.CAPACITOR	8200PF 5% 50V	
C 125	QFV11HJ-154AZM	FILM CAPACITOR	.15MF 5% 50V	
C 127	QFV41HJ-224	FILM CAPACITOR	.22MF 5% 50V	
C 128	QFLA1HJ-562ZM	M.CAPACITOR	5600PF 5% 50V	
C 129	QER41EM-475VM	E.CAPACITOR	4.7MF 20% 25V	
C 130	QER41EM-475VM	E.CAPACITOR	4.7MF 20% 25V	
C 181	NCS21HJ-471AY	C.CAPACITOR	470PF 5% 50V	
C 182	NCS21HJ-471AY	C.CAPACITOR	470PF 5% 50V	
C 183	QFV41HJ-104ZM	FILM CAPACITOR	.10MF 5% 50V	
C 184	QFV41HJ-104ZM	FILM CAPACITOR	.10MF 5% 50V	
C 185	QFV41HJ-104ZM	FILM CAPACITOR	.10MF 5% 50V	

BLOCK NO. 01

BLOCK NO. 01

A REF.	PARTS NO.	PART'S NAME	REMARKS	SUFFIX
D 951	DSK10C-E	DIODE		
D 971	DSK10C-E	DIODE		
D 981	1N5401TM	SI DIODE		
IC 1	LA1867M	IC		
IC701	UPD17010GF-E19	IC	SYSTEM MICON	
IC741	UPD7758AGT-705	IC	VOICE	
IC751	HD74HC426FP	IC	CHANGER CONT	
IC901	UPC1228HA	IC	HEAD AMP	
IC911	HA12135AFT	IC	DOLBY NR AMP	
IC921	TEA6320T	IC	E VOLUME	
IC951	LA2000S	IC	MS	
IC981	HA13150A	IC		
L 1	VQP0018-4R7	INDUCTOR		
L 2	VQT7F28-501	IFT		
L 781	VQP0018-470	INDUCTOR		
L 782	VQP0018-470	INDUCTOR		
L 981	VIC24AG-10A	CHOKO COIL		
Q 1	DIC114EK	TRANSISTOR		
Q 141	2SD1048X7T-HL	TRANSISTOR		
Q 142	2SD1048X7T-HL	TRANSISTOR		
Q 241	2SD1048X7T-HL	TRANSISTOR		
Q 242	2SD1048X7T-HL	TRANSISTOR		
Q 701	DIC114EK	TRANSISTOR	TUNER	
Q 702	DIC114EK	TRANSISTOR	TAPE	
Q 703	DIC114EK	TRANSISTOR	CD	
Q 706	DIC114EK	TRANSISTOR		
Q 707	2SB1322(RS)	TRANSISTOR		
Q 711	DTA114EK	TRANSISTOR		
Q 741	2SC1623(6)	TRANSISTOR		
Q 771	2SC2412KK1	TRANSISTOR		
Q 772	2SC2412KK1	TRANSISTOR		
Q 781	2SD1994A(R,S)TA	TRANSISTOR		
Q 782	2SA1037K(R)	TRANSISTOR		
Q 783	2SA1037K(R)	TRANSISTOR		
Q 784	2SC2412KK1	TRANSISTOR		
Q 786	DIC114EK	TRANSISTOR		
Q 931	2SD1994A(R,S)TA	TRANSISTOR		
Q 932	2SD1994A(R,S)TA	TRANSISTOR		
Q 933	2SD1994A(R,S)TA	TRANSISTOR		
Q 934	2SB815B7-T-HL	TRANSISTOR		
Q 935	2SB815B7-T-HL	TRANSISTOR		
Q 936	DIC114EK	TRANSISTOR		
Q 941	DTA114EK	TRANSISTOR		
Q 942	DTA114EK	TRANSISTOR		
Q 943	DIC114TKT146	TRANSISTOR		
Q 951	2SD1051	TRANSISTOR		
Q 952	DTA114EK	TRANSISTOR		
Q 971	2SC2412KK1	TRANSISTOR		
R 1	NRSA02J-102NY	MG RESISTOR	1.0K 5% 1/10W	
R 2	NRSA02J-104NY	MG RESISTOR	100K 5% 1/10W	
R 3	NRSA02J-562NY	MG RESISTOR	5.6K 5% 1/10W	
R 4	NRSA02J-562NY	MG RESISTOR	5.6K 5% 1/10W	
R 5	NRSA02J-682NY	MG RESISTOR	6.8K 5% 1/10W	
R 7	NRSA02J-332NY	MG RESISTOR	3.3K 5% 1/10W	
R 8	NRSA02J-153NY	MG RESISTOR	15K 5% 1/10W	

A REF.	PARTS NO.	PART'S NAME	REMARKS	SUFFIX
C 903	NCB21HK-472AY	C CAPACITOR	4700PF 10% 50V	
C 911	0ER41CM-476M	E-CAPACITOR	47MF 20% 16V	
C 912	0ER41HM-105VM	E-CAPACITOR	1.0MF 20% 50V	
C 913	0ER41EM-475VM	E-CAPACITOR	4.7MF 20% 25V	
C 921	0ER40JM-107	E-CAPACITOR	100MF 20% 6.3V	
C 922	0ER41AM-107	E-CAPACITOR	100MF 20% 10V	
C 923	0ER41CM-476M	E-CAPACITOR	47MF 20% 16V	
C 931	0ER41CM-107ZM	E-CAPACITOR	100MF 20% 16V	
C 941	0ER41CM-476M	E-CAPACITOR	47MF 20% 16V	
C 951	NCB21HK-473AY	C CAPACITOR	.047MF 10% 25V	
C 952	0ERF1HM-104ZN	E-CAPACITOR	.10MF 20% 50V	
C 953	NCB21HK-472AY	C CAPACITOR	4700PF 10% 50V	
C 954	0ERF1HM-224ZN	E-CAPACITOR	.22MF 20% 50V	
C 955	0ERF1HM-335ZN	E-CAPACITOR	3.3MF 20% 50V	
C 956	0ER41CM-476M	E-CAPACITOR	47MF 20% 16V	
C 981	0ETA1CM-228L20	E-CAPACITOR	2200MF 20% 16V	
C 982	0ER41EM-475VM	E-CAPACITOR	4.7MF 20% 25V	
C 983	0ER41CM-106	E-CAPACITOR	10MF 20% 16V	
C 984	0ER41CM-106	E-CAPACITOR	10MF 20% 16V	
C 985	NCB21HK-104	C CAPACITOR	.10MF 10% 25V	
C 986	NCB21HK-104	C CAPACITOR	.10MF 10% 25V	
C 991	0CY41HK-102	C CAPACITOR	1000PF 10% 50V	
CF 1	VCF2M3B-103	CERAMIC FILTER		
CF 2	VCF2M3B-103	CERAMIC FILTER		
CF 3	CSB912JF104	CERA ROCK		
CJ 51	VMJ4045-001	ANT-SOCKET		
CJ701	VMC0319-001	CONNECTOR		
CJ751	VMC0136-007	CONNECTOR		
CJ921	VMJ4035-001	MINI DIN JACK		
CJ982	VMJ3023-001	PIN JACK		
CP751	VMC0135-007	CONNECTOR		
CP901	EMV5159-1008	CONNECTOR		
CP902	VMC0234-P05	CONNECTOR		
CP981	VMC0321-001	13PIN CONN		
D 2	HSM2838C	DIODE		
D 3	HSM2838C	DIODE		
D 51	MA165	SI DIODE		
D 52	MA165	SI DIODE		
D 706	DSK10C-E	DIODE		
D 723	HSM2838C	DIODE	MS	
D 724	HSM2838C	DIODE	DOLBY	
D 741	MA700	ZENER DIODE		
D 742	MA700	ZENER DIODE		
D 743	MA700	ZENER DIODE		
D 771	HZS10EB1	ZENER DIODE		
D 781	HZS6-2EB3	ZENER DIODE		
D 782	DSK10C-E	DIODE		
D 783	HSM2836C	DIODE		
D 784	HSM2838C	DIODE		
D 931	HZS10EB1	ZENER DIODE		
D 941	HSM2838C	DIODE		
D 942	HZS11EB2	ZENER DIODE		
D 943	HSM2838C	DIODE		
D 944	HSM2836C	DIODE		
D 945	HSM2836C	DIODE		

BLOCK NO. 01111111

REF.	PARTS NO.	PARTS NAME	REMARKS	SUFFIX
R 212	NRSA02J-273NY	MG RESISTOR	27K 5% 1/10W	
R 221	NRSA02J-223NY	MG RESISTOR	22K 5% 1/10W	
R 222	NRSA02J-222NY	MG RESISTOR	2.2K 5% 1/10W	
R 223	NRSA02J-472NY	MG RESISTOR	4.7K 5% 1/10W	
R 224	NRSA02J-123NY	MG RESISTOR	12K 5% 1/10W	
R 241	NRSA02J-222NY	MG RESISTOR	2.2K 5% 1/10W	
R 242	NRSA02J-222NY	MG RESISTOR	2.2K 5% 1/10W	
R 281	NRSA02J-102NY	MG RESISTOR	1.0K 5% 1/10W	
R 282	NRSA02J-102NY	MG RESISTOR	1.0K 5% 1/10W	
R 285	NRSA02J-2R2NYM	MG RESISTOR	2.2 5% 1/10W	
R 286	NRSA02J-2R2NYM	MG RESISTOR	2.2 5% 1/10W	
R 287	NRSA02J-2R2NYM	MG RESISTOR	2.2 5% 1/10W	
R 288	QRD161J-2R2	CARBON RESISTOR	2.2 5% 1/6W	
R 289	NRSA02J-101NY	MG RESISTOR	100 5% 1/10W	
R 290	NRSA02J-101NY	MG RESISTOR	100 5% 1/10W	
R 291	NRSA02J-123NY	MG RESISTOR	12K 5% 1/10W	
R 292	NRSA02J-123NY	MG RESISTOR	12K 5% 1/10W	
R 293	NRSA02J-392NY	MG RESISTOR	3.9K 5% 1/10W	
R 294	NRSA02J-392NY	MG RESISTOR	3.9K 5% 1/10W	
R 701	NRSA02J-473NY	MG RESISTOR	47K 5% 1/10W	
R 702	NRSA02J-473NY	MG RESISTOR	47K 5% 1/10W	
R 703	NRSA02J-472NY	MG RESISTOR	4.7K 5% 1/10W	
R 706	NRSA02J-102NY	MG RESISTOR	1.0K 5% 1/10W	
R 707	NRSA02J-473NY	MG RESISTOR	47K 5% 1/10W	
R 709	NRSA02J-332NY	MG RESISTOR	3.3K 5% 1/10W	
R 710	NRSA02J-103NY	MG RESISTOR	10K 5% 1/10W	
R 711	NRSA02J-103NY	MG RESISTOR	10K 5% 1/10W	
R 712	NRSA02J-103NY	MG RESISTOR	10K 5% 1/10W	
R 713	NRSA02J-332NY	MG RESISTOR	3.3K 5% 1/10W	
R 714	NRSA02J-332NY	MG RESISTOR	3.3K 5% 1/10W	
R 715	NRSA02J-332NY	MG RESISTOR	3.3K 5% 1/10W	
R 717	NRSA02J-222NY	MG RESISTOR	2.2K 5% 1/10W	
R 718	NRSA02J-222NY	MG RESISTOR	2.2K 5% 1/10W	
R 722	NRSA02J-122NY	MG RESISTOR	1.2K 5% 1/10W	
R 725	NRSA02J-332NY	MG RESISTOR	3.3K 5% 1/10W	
R 726	NRSA02J-332NY	MG RESISTOR	3.3K 5% 1/10W	
R 727	NRSA02J-332NY	MG RESISTOR	3.3K 5% 1/10W	
R 728	NRSA02J-121NY	MG RESISTOR	120 5% 1/10W	
R 729	NRSA02J-121NY	MG RESISTOR	120 5% 1/10W	
R 730	NRSA02J-121NY	MG RESISTOR	120 5% 1/10W	
R 731	NRSA02J-473NY	MG RESISTOR	47K 5% 1/10W	
R 740	NRSA02J-103NY	MG RESISTOR	10K 5% 1/10W	
R 741	NRSA02J-392NY	MG RESISTOR	3.9K 5% 1/10W	
R 742	NRSA02J-103NY	MG RESISTOR	1.0M 5% 1/10W	
R 743	NRSA02J-471NY	MG RESISTOR	470 5% 1/10W	
R 744	NRSA02J-223NY	MG RESISTOR	22K 5% 1/10W	
R 745	NRSA02J-184NY	MG RESISTOR	180K 5% 1/10W	
R 746	NRSA02J-223NY	MG RESISTOR	22K 5% 1/10W	
R 747	NRSA02J-102NY	MG RESISTOR	1.0K 5% 1/10W	
R 748	NRSA02J-123NY	MG RESISTOR	12K 5% 1/10W	
R 749	NRSA02J-392NY	MG RESISTOR	3.9M 5% 1/10W	
R 750	NRSA02J-473NY	MG RESISTOR	47K 5% 1/10W	
R 751	NRSA02J-473NY	MG RESISTOR	47K 5% 1/10W	
R 752	NRSA02J-472NY	MG RESISTOR	4.7K 5% 1/10W	
R 753	NRSA02J-473NY	MG RESISTOR	47K 5% 1/10W	

BLOCK NO. 01111111

REF.	PARTS NO.	PARTS NAME	REMARKS	SUFFIX
R 9	NRSA02J-392NY	MG RESISTOR	3.9K 5% 1/10W	
R 10	NRSA02J-473NY	MG RESISTOR	4.7K 5% 1/10W	
R 11	NRSA02J-103NY	MG RESISTOR	10K 5% 1/10W	
R 12	NRSA02J-823NY	MG RESISTOR	82K 5% 1/10W	
R 13	NRSA02J-102NY	MG RESISTOR	1.0K 5% 1/10W	
R 14	NRSA02J-103NY	MG RESISTOR	10K 5% 1/10W	
R 15	NRSA02J-682NY	MG RESISTOR	6.8K 5% 1/10W	
R 16	NRSA02J-183NY	MG RESISTOR	18K 5% 1/10W	
R 17	NRSA02J-123NY	MG RESISTOR	12K 5% 1/10W	
R 18	NRSA02J-272NY	MG RESISTOR	2.7K 5% 1/10W	
R 19	NRSA02J-563NY	MG RESISTOR	56K 5% 1/10W	
R 20	NRSA02J-102NY	MG RESISTOR	1.0K 5% 1/10W	
R 21	NRSA02J-101NY	MG RESISTOR	100 5% 1/10W	
R 22	NRSA02J-102NY	MG RESISTOR	1.0K 5% 1/10W	
R 23	NRSA02J-474NY	MG RESISTOR	470K 5% 1/10W	
R 24	NRSA02J-223NY	MG RESISTOR	22K 5% 1/10W	
R 25	NRSA02J-472NY	MG RESISTOR	4.7K 5% 1/10W	
R 26	NRSA02J-221NY	MG RESISTOR	220 5% 1/10W	
R 27	NRSA02J-332NY	MG RESISTOR	3.3K 5% 1/10W	
R 28	NRSA02J-332NY	MG RESISTOR	3.3K 5% 1/10W	
R 29	NRSA02J-332NY	MG RESISTOR	3.3K 5% 1/10W	
R 30	NRSA02J-682NY	MG RESISTOR	6.8K 5% 1/10W	
R 31	NRSA02J-392NY	MG RESISTOR	2.2K 5% 1/10W	
R 32	NRSA02J-392NY	MG RESISTOR	3.9K 5% 1/10W	
R 33	NRSA02J-472NY	MG RESISTOR	4.7K 5% 1/10W	
R 35	NRSA02J-473NY	MG RESISTOR	47K 5% 1/10W	
R 52	NRSA02J-123NY	MG RESISTOR	12K 5% 1/10W	
R 101	NRSA02J-153NY	MG RESISTOR	15K 5% 1/10W	
R 102	NRSA02J-334NY	MG RESISTOR	330K 5% 1/10W	
R 103	NRSA02J-271NY	MG RESISTOR	270 5% 1/10W	
R 111	NRSA02J-104NY	MG RESISTOR	100K 5% 1/10W	
R 112	NRSA02J-273NY	MG RESISTOR	27K 5% 1/10W	
R 121	NRSA02J-223NY	MG RESISTOR	22K 5% 1/10W	
R 122	NRSA02J-222NY	MG RESISTOR	2.2K 5% 1/10W	
R 123	NRSA02J-472NY	MG RESISTOR	4.7K 5% 1/10W	
R 124	NRSA02J-123NY	MG RESISTOR	12K 5% 1/10W	
R 141	NRSA02J-222NY	MG RESISTOR	2.2K 5% 1/10W	
R 142	NRSA02J-222NY	MG RESISTOR	2.2K 5% 1/10W	
R 181	NRSA02J-102NY	MG RESISTOR	1.0K 5% 1/10W	
R 182	NRSA02J-102NY	MG RESISTOR	1.0K 5% 1/10W	
R 185	NRSA02J-2R2NYM	MG RESISTOR	2.2 5% 1/10W	
R 186	NRSA02J-2R2NYM	MG RESISTOR	2.2 5% 1/10W	
R 187	NRSA02J-2R2NYM	MG RESISTOR	2.2 5% 1/10W	
R 188	NRSA02J-2R2NYM	MG RESISTOR	2.2 5% 1/10W	
R 189	NRSA02J-101NY	MG RESISTOR	100 5% 1/10W	
R 190	NRSA02J-101NY	MG RESISTOR	100 5% 1/10W	
R 191	NRSA02J-123NY	MG RESISTOR	12K 5% 1/10W	
R 192	NRSA02J-123NY	MG RESISTOR	12K 5% 1/10W	
R 193	NRSA02J-392NY	MG RESISTOR	3.9K 5% 1/10W	
R 194	NRSA02J-392NY	MG RESISTOR	3.9K 5% 1/10W	
R 201	NRSA02J-153NY	MG RESISTOR	15K 5% 1/10W	
R 202	NRSA02J-334NY	MG RESISTOR	330K 5% 1/10W	
R 203	NRSA02J-271NY	MG RESISTOR	270 5% 1/10W	
R 211	NRSA02J-104NY	MG RESISTOR	100K 5% 1/10W	

BLOCK NO. 01111111

A REF.	PARTS NO.	PARTS NAME	REMARKS	SUFFIX
X 701	VCX5026-001Z	CRYSTAL		
X 741	CSB640PBL	CERA LOCK		

BLOCK NO. 01111111

A REF.	PARTS NO.	PARTS NAME	REMARKS	SUFFIX
R 754	NRSA02J-334NY	MG RESISTOR	330K 5% 1/10W	
R 755	NRSA02J-101NY	MG RESISTOR	100 5% 1/10W	
R 756	NRSA02J-101NY	MG RESISTOR	100 5% 1/10W	
R 757	NRSA02J-473NY	MG RESISTOR	47K 5% 1/10W	
R 758	NRSA02J-334NY	MG RESISTOR	330K 5% 1/10W	
R 759	NRSA02J-101NY	MG RESISTOR	100 5% 1/10W	
R 760	NRSA02J-103NY	MG RESISTOR	10K 5% 1/10W	
R 761	NRSA02J-102NY	MG RESISTOR	1.0K 5% 1/10W	
R 762	NRSA02J-562NY	MG RESISTOR	5.6K 5% 1/10W	
R 763	NRSA02J-OR0NY	MG RESISTOR	5% 1/10W	
R 771	NRSA02J-471NY	MG RESISTOR	470 5% 1/10W	
R 772	NRSA02J-332NY	MG RESISTOR	3.3K 5% 1/10W	
R 773	NRSA02J-102NY	MG RESISTOR	1.0K 5% 1/10W	
R 774	NRSA02J-331NY	MG RESISTOR	330 5% 1/10W	
R 775	NRSA02J-452NY	MG RESISTOR	1.5K 5% 1/10W	
R 781	GRD145J-470S	CARBON RESISTOR	47 5% 1/4W	
R 782	NRSA02J-682NY	MG RESISTOR	6.8K 5% 1/10W	
R 783	NRSA02J-103NY	MG RESISTOR	10K 5% 1/10W	
R 784	NRSA02J-104NY	MG RESISTOR	100K 5% 1/10W	
R 785	NRSA02J-103NY	MG RESISTOR	10K 5% 1/10W	
R 786	GRD161J-272	CARBON RESISTOR	2.7K 5% 1/6W	
R 788	NRSA02J-473NY	MG RESISTOR	47K 5% 1/10W	
R 789	NRSA02J-473NY	MG RESISTOR	47K 5% 1/10W	
R 790	NRSA02J-222NY	MG RESISTOR	2.2K 5% 1/10W	
R 791	NRSA02J-103NY	MG RESISTOR	10K 5% 1/10W	
R 792	NRSA02J-222NY	MG RESISTOR	2.2K 5% 1/10W	
R 795	NRSA02J-103NY	MG RESISTOR	10K 5% 1/10W	
R 901	GRD161J-101	CARBON RESISTOR	100 5% 1/6W	
R 911	NRSA02J-183NY	MG RESISTOR	18K 5% 1/10W	
R 912	NRSA02J-223NY	MG RESISTOR	22K 5% 1/10W	
R 913	NRSA02J-103NY	MG RESISTOR	10K 5% 1/10W	
R 914	NRSA02J-103NY	MG RESISTOR	10K 5% 1/10W	
R 931	NRSA02J-331NY	MG RESISTOR	330 5% 1/10W	
R 932	NRSA02J-2R2NYM	MG RESISTOR	2.2 5% 1/10W	
R 933	NRSA02J-2R2NYM	MG RESISTOR	2.2 5% 1/10W	
R 934	NRSA02J-473NY	MG RESISTOR	47K 5% 1/10W	
R 935	NRSA02J-222NY	MG RESISTOR	2.2K 5% 1/10W	
R 936	NRSA02J-222NY	MG RESISTOR	2.2K 5% 1/10W	
R 941	NRSA02J-OR0NY	MG RESISTOR	5% 1/10W	
R 951	NRSA02J-222NY	MG RESISTOR	2.2K 5% 1/10W	
R 952	NRSA02J-334NY	MG RESISTOR	330K 5% 1/10W	
R 953	NRSA02J-100NY	MG RESISTOR	10.5% 1/10W	
R 954	NRSA02J-103NY	MG RESISTOR	10K 5% 1/10W	
R 955	NRSA02J-471NY	MG RESISTOR	470 5% 1/10W	
R 971	NRSA02J-473NY	MG RESISTOR	47K 5% 1/10W	
R 972	NRSA02J-472NY	MG RESISTOR	4.7K 5% 1/10W	
R 981	NRSA02J-472NY	MG RESISTOR	4.7K 5% 1/10W	
R 982	NRSA02J-153NY	MG RESISTOR	15K 5% 1/10W	
R 984	NRSA02J-102NY	MG RESISTOR	1.0K 5% 1/10W	
RY971	VSK1012-121	RELAY		
TU 1	VAF6S08-001	FM/AM TUNER PAC		
VR 1	QVPA601-503A	V.-RESISTOR		
VR 2	QVZ3523-333AZ	V.-RESISTOR		
VR111	QVZ3523-223	V.-RESISTOR		
VR211	QVZ3523-223	V.-RESISTOR		
			DOLBY NR LEVEL	
			DOLBY NR LEVEL	

1

2

3

4

■ Key switch board

◆ Top side

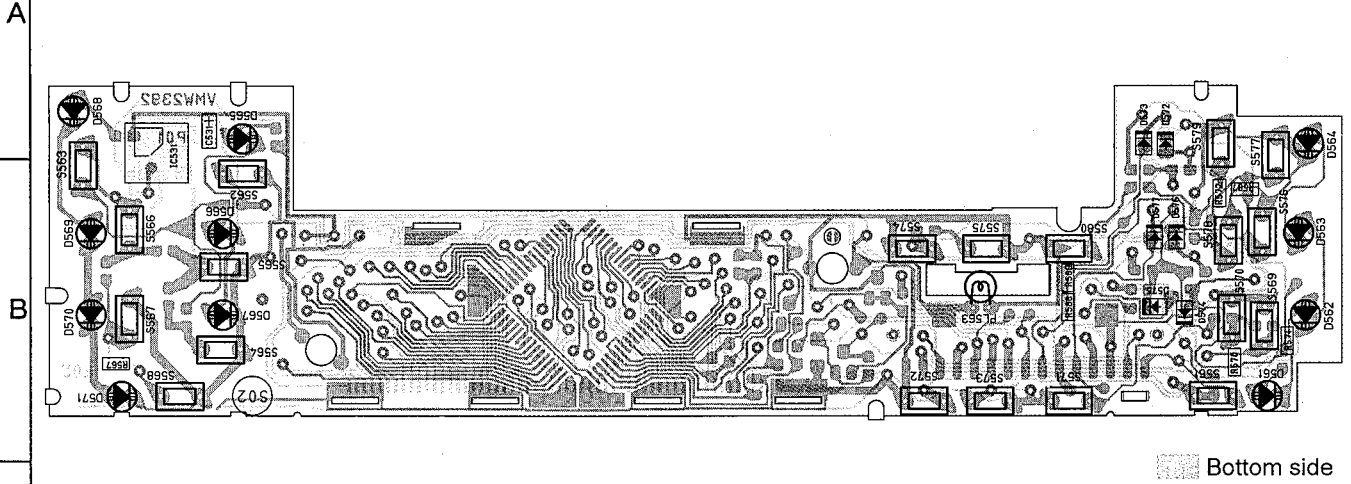


Fig. 6 - 3

◆ Bottom side

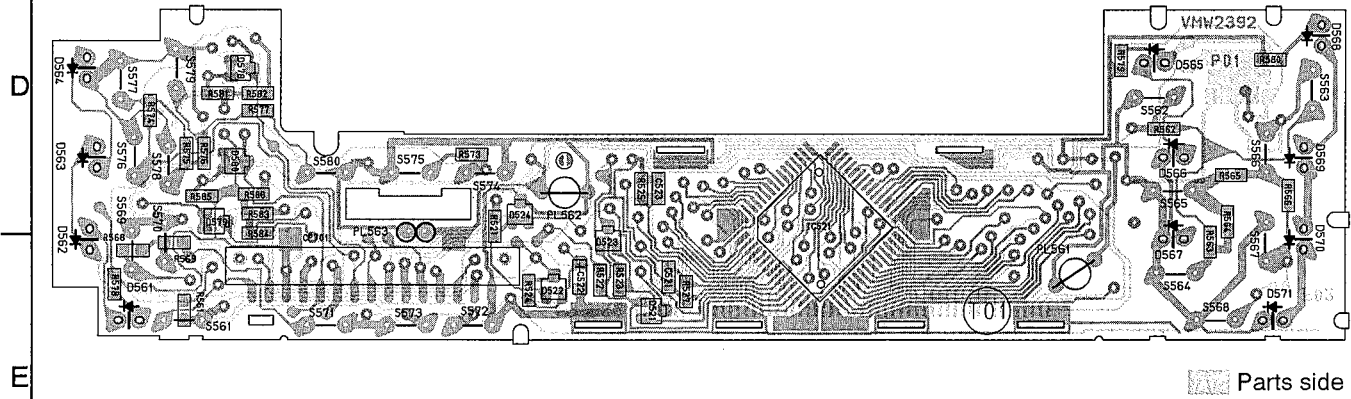


Fig. 6 - 4

● Key switch board parts list

BLOCK NO. 02

REF.	PARTS NO.	PARTS NAME	REMARKS	SUFFIX
R 573	NRSA02J-922NY	MG RESISTOR	2.7K 5% 1/10W	
R 574	NRSA02J-671NY	MG RESISTOR	470 5% 1/10W	
R 575	NRSA02J-561NY	MG RESISTOR	560 5% 1/10W	
R 576	NRSA02J-821NY	MG RESISTOR	820 5% 1/10W	
R 577	NRSA02J-102NY	MG RESISTOR	1.0K 5% 1/10W	
R 578	NRSA02J-122NY	MG RESISTOR	1.2K 5% 1/10W	
R 579	NRSA02J-152NY	MG RESISTOR	1.5K 5% 1/10W	
R 580	NRSA02J-122NY	MG RESISTOR	1.2K 5% 1/10W	
R 581	NRSA02J-222NY	MG RESISTOR	2.2K 5% 1/10W	
R 582	NRSA02J-561NY	MG RESISTOR	560 5% 1/10W	
R 583	NRSA02J-222NY	MG RESISTOR	2.2K 5% 1/10W	
R 584	NRSA02J-561NY	MG RESISTOR	560 5% 1/10W	
R 585	NRSA02J-222NY	MG RESISTOR	2.2K 5% 1/10W	
R 586	NRSA02J-561NY	MG RESISTOR	560 5% 1/10W	
R 587	NRSA02J-561NY	MG RESISTOR	560 5% 1/10W	
R 588	NRSA02J-561NY	MG RESISTOR	560 5% 1/10W	
R 589	NRSA02J-561NY	MG RESISTOR	560 5% 1/10W	
S 561	GSP1A11-V15	TACT SWITCH	DISPLAY	
S 562	GSP1A11-V15	TACT SWITCH	SOUND	
S 563	GSP1A11-V15	TACT SWITCH	POWER/ATT	
S 564	GSP1A11-V15	TACT SWITCH	P-SCAN	
S 565	GSP1A11-V15	TACT SWITCH	MONO/DOLBY	
S 566	GSP1A11-V15	TACT SWITCH	VOLUME UP	
S 567	GSP1A11-V15	TACT SWITCH	VOLUME DOWN	
S 568	GSP1A11-V15	TACT SWITCH	SEL	
S 569	GSP1A11-V15	TACT SWITCH	DOWN	
S 570	GSP1A11-V15	TACT SWITCH	TAPE	
S 571	GSP1A11-V15	TACT SWITCH	PRESET 6	
S 572	GSP1A11-V15	TACT SWITCH	PRESET 5	
S 573	GSP1A11-V15	TACT SWITCH	PRESET 4	
S 574	GSP1A11-V15	TACT SWITCH	PRESET 1	
S 575	GSP1A11-V15	TACT SWITCH	PRESET 2	
S 576	GSP1A11-V15	TACT SWITCH	UP	
S 577	GSP1A11-V15	TACT SWITCH	PRESETRND	
S 578	GSP1A11-V15	TACT SWITCH	TUNE/BAND	
S 579	GSP1A11-V15	TACT SWITCH	CD/MAG	
S 580	GSP1A11-V15	TACT SWITCH	PRESET 3	

● Key switch board parts list

BLOCK NO. 02

REF.	PARTS NO.	PARTS NAME	REMARKS	SUFFIX
C 521	NCB21HK-103AY	C CAPACITOR	0.10MF 10% 50V	
C 522	NEF20JM-475RY	TS.E. CAPACITOR	4.7MF 20% 6.3V	
C 523	NCB21HK-681AY	C CAPACITOR	680PF 10% 50V	
C 524	NEF20JM-475RY	TS.E. CAPACITOR	4.7MF 20% 6.3V	
CP701	VMC0320-001	CONNECTOR		
D 506	SLR-342MWA49	LED		
D 507	SLR-342MWA49	LED		
D 521	HSM2838C	D.IODE		
D 522	HSM2838C	D.IODE		
D 523	HSM2838C	D.IODE		
D 524	HSM2838C	D.IODE		
D 561	SLR-342MWA49	LED		
D 562	SLR-342MWA49	LED		
D 563	SLR-342MWA49	LED		
D 564	SLR-342MWA49	LED		
D 565	SLR-342MWA49	LED		
D 566	SLR-342MWA49	LED		
D 567	SLR-342MWA49	LED		
D 568	SLR-342MWA49	LED		
D 569	SLR-342MWA49	LED		
D 570	SLR-342MWA49	LED		
D 571	SLR-342MWA49	LED		
D 572	SML-010MTT87	LED		
D 573	SML-010MTT87	LED		
D 574	SML-010MTT87	LED		
D 575	SML-010MTT87	LED		
D 576	SML-010MTT87	LED		
D 577	SML-010MTT87	LED		
D 578	HSM2838C	D.IODE		
D 579	HSM2838C	D.IODE		
D 580	HSM2838C	D.IODE		
IC521	LC75822E	IC	LCD DRIVER	
IC531	RS-31	REMOCON SENSOR		
LCD 1	VGL1169-001	LCD		
PL561	VGZ0001-056	LAMP		
PL562	VGZ0001-056	LAMP		
PL563	VGZ0001-055	LAMP		
R 521	NRSA02J-103NY	MG RESISTOR	10K 5% 1/10W	
R 522	NRSA02J-103NY	MG RESISTOR	10K 5% 1/10W	
R 523	NRSA02J-103NY	MG RESISTOR	10K 5% 1/10W	
R 524	NRSA02J-224NY	MG RESISTOR	220K 5% 1/10W	
R 525	NRSA02J-473NY	MG RESISTOR	47K 5% 1/10W	
R 527	NRSA02J-473NY	MG RESISTOR	47K 5% 1/10W	
R 561	NRSA02J-471NY	MG RESISTOR	470 5% 1/10W	
R 562	NRSA02J-561NY	MG RESISTOR	560 5% 1/10W	
R 563	NRSA02J-821NY	MG RESISTOR	820 5% 1/10W	
R 564	NRSA02J-102NY	MG RESISTOR	1.0K 5% 1/10W	
R 565	NRSA02J-182NY	MG RESISTOR	1.8K 5% 1/10W	
R 566	NRSA02J-272NY	MG RESISTOR	2.7K 5% 1/10W	
R 567	NRSA02J-682NY	MG RESISTOR	6.8K 5% 1/10W	
R 568	NRSA02J-471NY	MG RESISTOR	470 5% 1/10W	
R 569	NRSA02J-561NY	MG RESISTOR	560 5% 1/10W	
R 570	NRSA02J-821NY	MG RESISTOR	820 5% 1/10W	
R 571	NRSA02J-102NY	MG RESISTOR	1.0K 5% 1/10W	
R 572	NRSA02J-182NY	MG RESISTOR	1.8K 5% 1/10W	

7 Exploded view of enclosure component parts and parts list

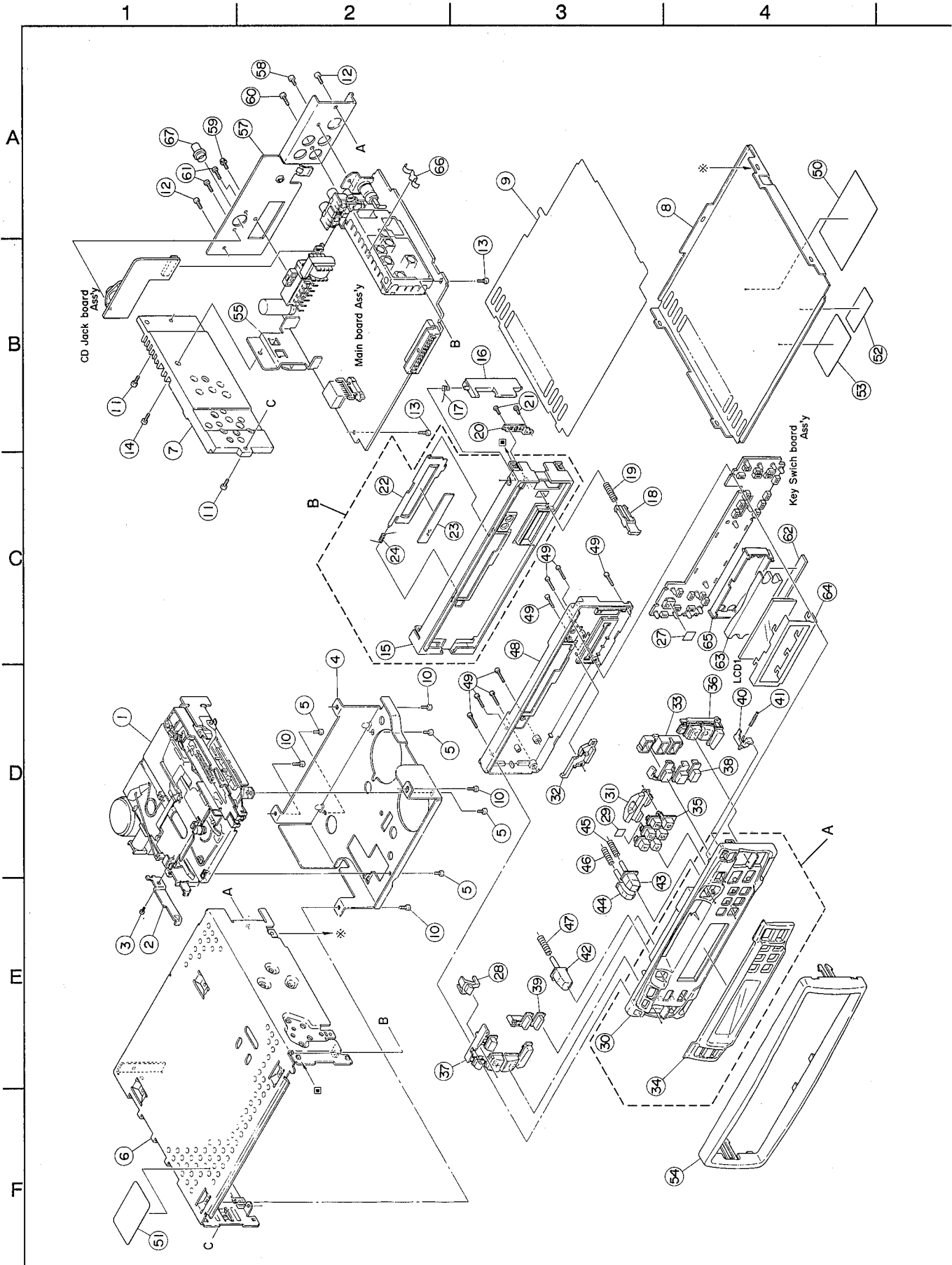


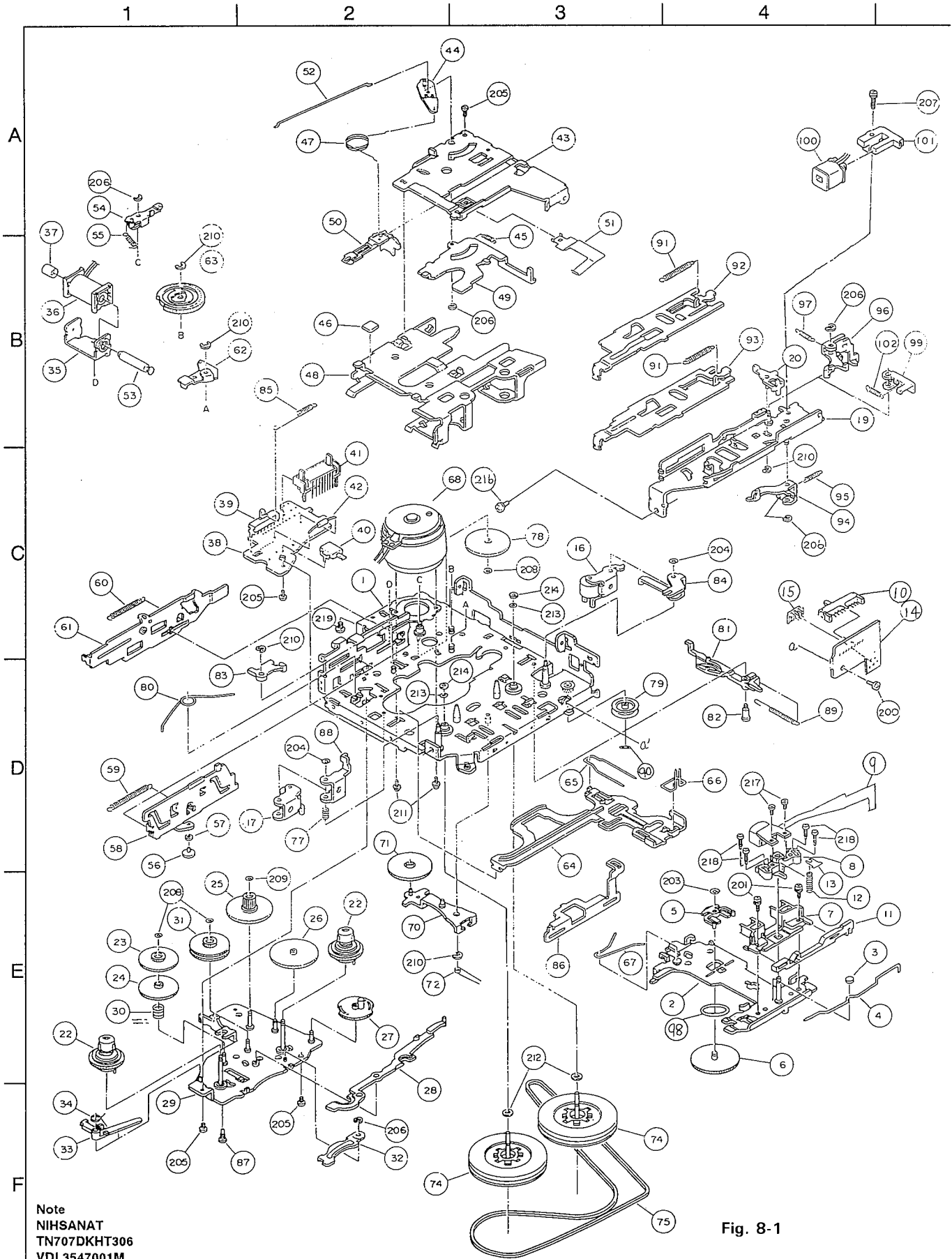
Fig. 7 - 1

● Enclosure component parts list

BLOCK NO. M1MM

△ REF.	PARTS NO.	PARTS NAME	REMARKS	QTY	SUFFIX	CLR
A	ZCKSRT808J-NPA	NOSE PIECE ASSY	NO.30,NO34	1		
B	ZCKSRT808RK-FB	CHASSIS ASS'Y	NO.15,NO22-NO23	1		
1	VDL3547-001M	RT606 MECHA	2CH HEAD MECHA	1		
2	VKL7226-003	EJECT LEVER		1		
3	SPSK2625Z	MINI SCREW	MECHA+MECHA BKT	1		
4	FSKM2002-001	MECHA BKT		1		
5	VKZ4333-002	SPECIAL SCREW	MECHA BRACKETCF	4		
6	FSJC1014-001	CHASSIS		1		
7	FSKL3004-001	SIDE PANEL		1		
8	FSKM3004-001	BOTTOM COVER		1		
9	FSMA3001-001	INSULATOR		1		
10	SDST2604Z	SCREW	CHASSIS+MECHA B	4		
11	SDST2608Z	SCREW	CHASSIS+SIDE PA	2		
12	SDST2606Z	SCREW	CHASSIS+REAR BK	2		
13	SDST2606Z	SCREW	CHASSIS+MAIN PW	2		
14	SDST2608Z	SCREW	SIDE PANEL+IC B	1		
15	VJC2534-001	FRONT CHASSIS		1		
16	FSKS3002-001	LOCK LEVER		1		
17	FSKW4005-003	TORSION SPRING	LOCK LEVER	1		
18	FSXP3018-001	RLS KNOB		1		
19	VKW3001-320	COMP.SPRING		1		
20	FSKL4008-001	HOLD PLATE		1		
21	SPSN1745N	MINI SCREW		2		
22	VJC4145-002SS	CASSETTE LID		1		
23	VJC4146-025	LID PLATE		1		
24	VKW4947-003	DOOR SPRING		1		
27	VYTT661-001	SHEET	FOR REMOCON SEN	1		
28	VJK4438-001	REMOCON LENS		1		
29	VYTT590-017	SHEET	FOR PRESET BUTT	1		
30	VJG1321-001	FRONT PANEL		1		
31	FSJK3001-002	LIGHT LENS		1		
32	FSJK3002-001	LENS		1		
33	FSYH3010-002	LED HOLDER		1		
34	VJK2197-004	FINDER		1		
35	VXP2099-001	PRESET BUTTON	1/2/3/4/5/6	1		
36	VXP1005-002	UP/DOWN BUTTON		1		
37	VXP1006-001	+/- BUTTON		1		
38	VXP2100-002	D.FUNC BUTTON	CD/TUNE/TAPE	1		
39	FSXP3019-005	PUSH BUTTON		1		
40	FSXP3020-001	DETACH BUTTON		1		
41	VKW3001-321	COMP. SPRING	DETACH BUTTON	1		
42	FSXP3021-002	EJECT BUTTON		1		
43	FSXP3022-002	FF BUTTON		1		
44	FSXP3023-002	REW BUTTON		1		
45	VKW3001-323	COMP. SPRING	FF BUTTON	1		
46	VKW3001-323	COMP. SPRING	REW BUTTON	1		
47	VKW3001-323	COMP. SPRING	EJECT BUTTON	1		
48	VJG1322-001	REAR COVER		1		
49	SPSN1780N	MINI SCREW	FRONT+REAR	8		
50	VYN3537-S001SA	NAME PLATE		1		
51	VND4391-001	CAUTION LABEL		1		
52	E407097-002	HYATT L.LABEL	J	1		
53	VND5008-001	FCC LABEL(4)	J	1		
54	FSJD2004-003	TRIM PLATE		1		
55	FSKL4007-001	IC BRACKETE		1		

8 Exploded view of mechanism component parts and parts list



Note
 NIHSANAT
 TN707DKHT306
 VDL3547001M

Fig. 8-1

● Mechaniam component parts list

BLOCK NO. M2MM

△	REF.	PARTS NO.	PARTS NAME	REMARKS	QTY	SUFFIX	CLR
	1	194001526T	CHASSIS BASE		1		
	2	194016503T	HEAD PANEL ASY.		1		
	3	19400303T	SP ROLLER		1		
	4	19400304T	P.R.SPRING		1		
	5	19400305T	P.GEAR METAL		1		
	6	19400306T	P.GEAR		1		
	7	19400312T	TAPE GUIDE U		1		
	8	19400327T	HEAD HOLDER B		1		
	9	62010390T	HEAD	P-7742BB-0572	1		
	10	64020207T	SLIDE SWITCH	SSSSA3002A	1		
	11	19400328T	SHIFT PLATE B		1		
	12	19400315T	H.G SPRING		1		
	13	9F2635010T	FASTEN WASHER		1		
	14	19400746T	H.SUBSTRATE J		1		
	15	68170214T	SOCKET		1		
	16	194004301T	P.ROLL.ARM(F)AS		1		
	17	194004302T	P.ROLL.ARM(R)AS		1		
	19	194005503T	F.R.BKT(M)ASS'Y		1		
	20	194005504T	SEESAW P(M)ASY.		1		
	22	194006302T	T.REEL ASS'Y		2		
	23	19400612T	P.GEAR (R)		1		
	24	19400613T	F.GEAR (R)		1		
	25	19400615T	P.D.GEAR		1		
	26	19400616T	E.D.GEAR		1		
	27	19400617AT	REVERSE GEAR(M)		1		
	28	19400648T	E.D.PLATE B		1		
	29	194002501T	M.G.P.SEMI-ASY.		1		
	30	19400635T	TN SPRING		1		
	31	194006312T	P.CLUTCH ASS'Y		1		
	32	194014129T	LIFT UP PLATE		1		
	33	19401464T	ANTI-REV ARM		1		
	34	19401460T	TRI ARM SPRING		1		
	35	19401431T	P.BRACKET(K)		1		
	36	194014140T	SOLENOID		1		
	37	19401433T	CORE(K)		1		
	38	19400745T	SW SUBSTRATE		1		
	39	64020206T	SLIDE SWITCH	SSSSA2001A	1		
	40	64020405T	PUSH SWITCH	SPVC11001A	1		
	41	68150227T	RECEPTACLE	TKC-A08X-C1	1		
	42	ERB12-01	DIODE	ERB12-01	1		
	43	19400801T	CASE LIFTER		1		
	44	184008503T	P.E PLATE ASS'Y		1		
	45	18400820T	SPRING		1		
	46	18400875T	CUSSHION RUBBER		1		
	47	19400813T	REVERSE SP.C		1		
	48	19401410T	CASSETTE CASE M		1		
	49	19400804T	C.D PLATE B		1		
	50	19400810T	PACK SLIDER		1		
	51	19400806T	PACK PRESS.SP.		1		
	52	18400823T	P.E SPRING		1		
	53	19401434T	PLUNGER(K)		1		
	54	194020505T	T.A.PLATE ASS'Y		1		
	55	19401437T	T.A.PLATE SP.		1		
	56	19400901T	H.P.ROLLER(A)		1		
	57	19400902T	H.P.ROLLER(B)		1		
	58	19400953T	C.H.PUSH PLAT.M		1		
	59	19400905T	C.H.SPRING		1		
	60	19400906T	PUSH LEVER SP.		1		
	61	19400907T	PUSH LEVER M		1		

BLOCK NO. M2MM IIII

REF.	PARTS NO.	PARTS NAME	REMARKS	QTY	SUFFIX	CLR
62	194020506T	GEAR PLATE		1		
63	194014142T	CAM GEAR		1		
64	19401001T	MAIN PLATE		1		
65	19401002T	M.S.SPRING		1		
66	19401007T	H.S.SPRING		1		
67	19401444T	K.F.SPRING		1		
68	194011310T	MOTOR ASS'Y	MCI-5U3LCKA	1		
70	194012504T	FR W.PLT.SEM.AS		1		
71	19401703T	F.GEAR		1		
72	19401704T	FR SPRING M		1		
74	194013303T	F.L.CAPS.ASS'Y		2		
75	19401417T	MAIN BELT		1		
77	18400437T	P.P SPRING		1		
78	194014123T	MAIN GEAR M		1		
79	194014115T	MIDDLE PULLEY		1		
80	19401443T	HEAD PANEL SP.M		1		
81	19401405T	TRIGGER ARM(C)		1		
82	19401406T	COLLAR SCREW(T)		1		
83	19401442T	H.P.PUSH ARM(K)		1		
84	19401409T	SEESAW WRK.PLT.		1		
85	19401412T	POWER SW.SPRING		1		
86	194014127T	FR SLIDE PLT.M		1		
87	19401415T	COLLAR SCREW(P)		1		
88	19401416T	H.P.RETURN ARM		1		
89	19401407T	T.A.SPING(C)		1		
90	9W0225010T	P.WASHER CUT	0.85X2.8X0.25	1		
91	19401589T	FR LEVER SPRING		2		
92	19401590T	FF LEVER (MH)		1		
93	19401591T	REW LEVER(MH)		1		
94	19401503T	P.C.PLATE		1		
95	19401504T	P.C.SPRING		1		
96	19401505T	ROCK PLATE (M)		1		
97	19401506T	ROCK PLATE SP.M		1		
98	9W0540020T	HL WASHER	10 X 14 X 0.4	1		
99	19401509T	UNROCK PLATE		1		
100	19401551T	T.COIL ASS'Y		1		
101	19401562T	T.CORE		1		
102	19401559T	UNROCK PLATE SP		1		
200	9P1220051T	S TAPPING SCREW	M2 X 5	1		
201	9P0220051T	TAMS SCREW	M2 X 5	2		
203	9W0640070T	HL WASHER CUT	2.1 X 4 X 0.4	1		
204	9W0630060T	HL WASHER CUT	1.6 X 3.8 X 0.3	2		
205	9C0420303T	S TAPPING SCREW	FOR CAMERA M2X3	4		
206	9E0100152T	E RING	S 1.5	5		
207	9P2920900T	TAMS SCREW	2 X 9	1		
208	9W0625030T	HL WASHER CUT	1.2X3X0.25	3		
209	9W0630050T	HL WASHER CUT	1.6 X 3.4 X 0.3	1		
210	9E0100202T	E RING	S2.0	3		
211	9P0220031T	TAMS SCREW	M2 X 3	2		
212	9W0513060T	HL WASHER	2.1 X 5 X 0.13	2		
213	9W0520010T	HL WASHER CUT	1.85 X 3.2 X 0.	2		
214	9W0650030T	HL WASHER CUT	1.5 X 3.2 X 0.5	2		
216	9P0226041T	TAMS SCREW	M2.6 X 4	1		
217	9F2720401T	FIX SCREW	FOR HEAD	2		
218	9F2220071T	ADJUST SCREW		4		
219	9B0226531T	SCREW	M2.6 X 3.5	1		

9 Packing illustration and parts list

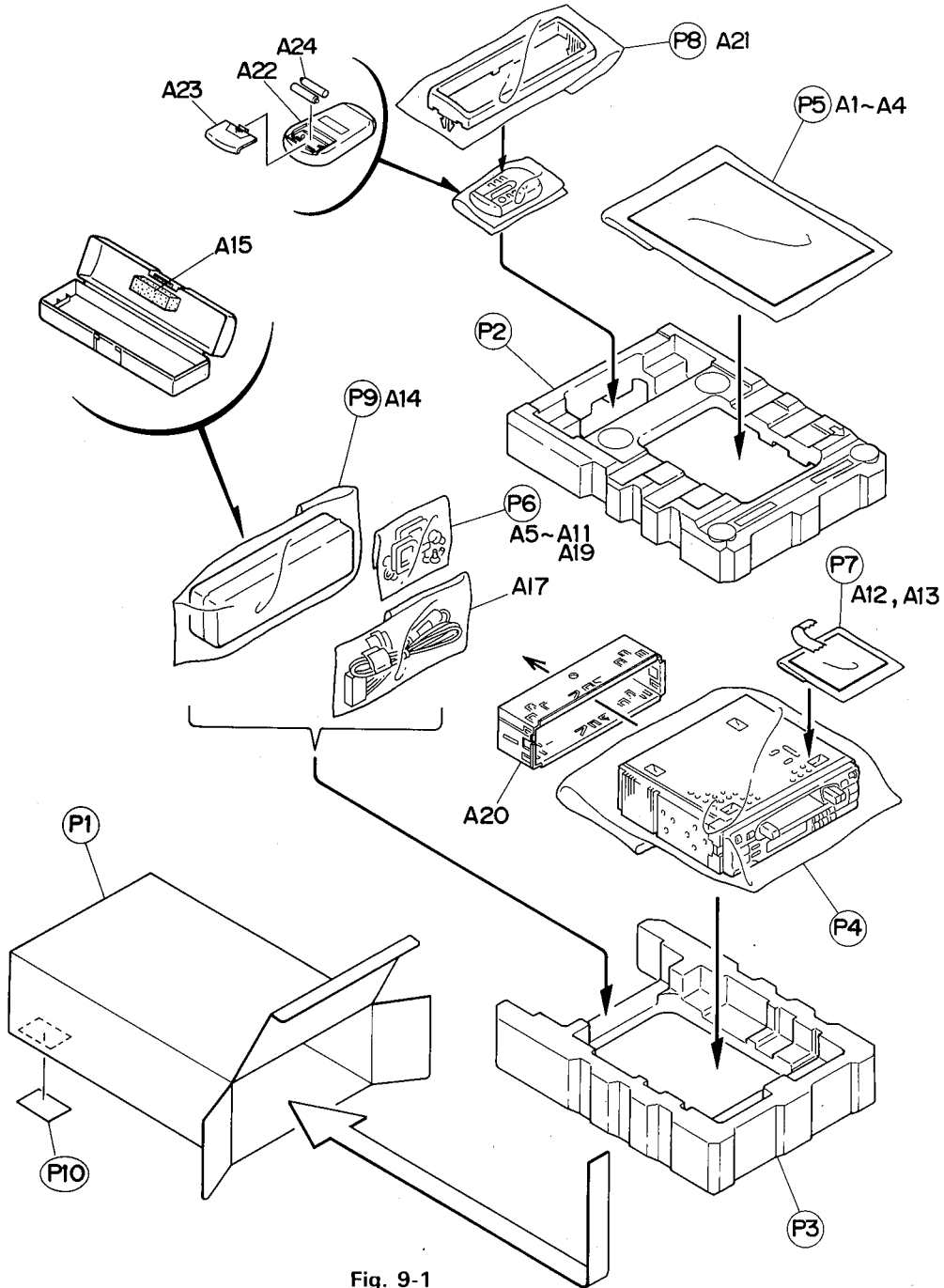


Fig. 9-1

● Packing parts list

BLOCK NO. M3MM

△	REF.	PARTS NO.	PARTS NAME	REMARKS	QTY	SUFFIX	CLR
P	1	VPC3537-S001	CARTON	PRINTED IN SING	1		
P	2	FSPH1003-001	CUSHION(TOP)	TOP SIDE	1		
P	3	FSPH1004-001	CUSHION(BOTTOM)	BOTTOM SIDE	1		
P	4	VPE3005-066	POLY BAG	SET	1		
P	5	QPGA017-02505	POLY BAG	INSTRUCTIONS	1		
P	6	QPGA008-01205	POLY BAG	SCREW KIT 1	1		
P	7	QPGA008-01205	POLY BAG	SCREW KIT 2	1		
P	8	QPGA010-03003	POLY.BAG	TRIM PLATE	1		
P	9	QPGA010-03003	POLY.BAG	HEAD CASE	1		
P	10	-----	CARTON LABEL	FOR CARTON	1		

● Accessories

BLOCK NO. M3MM

REF.	PARTS NO.	PARTS NAME	REMARKS	QTY	SUFFIX	CLR
A 1	VNN3548-631S	INSTRUCTIONS		1		
A 2	VNC2400-090	CAUTION SHEET		1		
A 3	BT-20025L	WARRANTY CARD		1	C	
	BT-20059D	WARRANTY CARD		1	J	
A 4	BT-20071B	SVC CENTER LIST		1	C	
	BT-20137	SERVICE NETWORK		1	J	
A 5	VKZ4027-002	PLUG NUT		1		
A 6	VKH4871-001	MOUNT BOLT		1		
A 7	VKZ4328-001	LOCK NUT	M5	1		
A 8	WNS5000Z	WASHER		1		
A 9	VKY3124-001	SIDE SPRING		2		
A 10	SSSP4006Z	SCREW	SIDE SPRING	4		
A 11	VKL7233-001	HOOK		2		
A 12	SPSJ1725M	MINI SCREW		1		
A 13	VND4619-005	SHEET		1		
A 14	VJB2014-002	HARD CASE		1		
A 15	VYSH118-002	SPACER		1		
A 17	VMC0014-159	13P CORD ASS'Y		1		
A 19	QHX5080-001	WIRE CLAMP		1		
A 20	VKM3819-001	MOUNTING SLEEVE		1		
A 21	FSJD2004-003	TRIM PLATE		1		
A 22	JV-0062-14	REMOCON UNIT		1		
A 23	JV-0062-003	BATTERY COVER		1		
A 24	R03BPA-2ST	BATTERY		2		
KIT 1	KSRT600K-SCREW1	SCREW KIT 1	A5-A11, A19, P6	1		
KIT 2	KSRT75RK-SCREW2	SCREW KIT 2	A12-A13, P7	1		

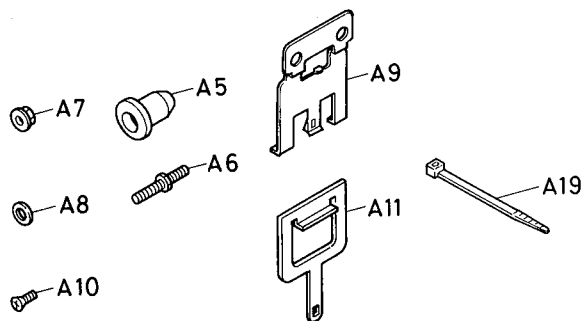


Fig. 9-2

JVC

VICTOR COMPANY OF JAPAN, LIMITED
 AUDIO PRODUCTS DIVISION 10-1, 1-chome, Ohwatari-machi, Maebashi-city, Japan